



深圳市鑫浩隆电子科技有限公司
SHENZHEN XINHAILONG ELECTRONIC TECHNOLOGY CO. LTD

DC AXIAL FAN

20x20x6mm

轴承结构：含油/滚珠轴承

Bearing system Sleeve

外框材质：环保防火PBT UL 94V-0

Frame: Thermoplastic PBT UL 94V-0

扇叶材质：环保防火PBT UL 94V-0

Impeller: Thermoplastic PBT UL 94V-0

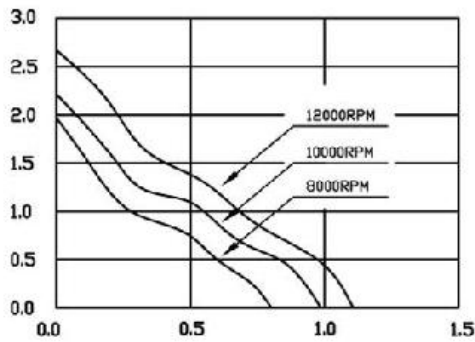
风扇单重：3.5g (Weight: 3.5g)



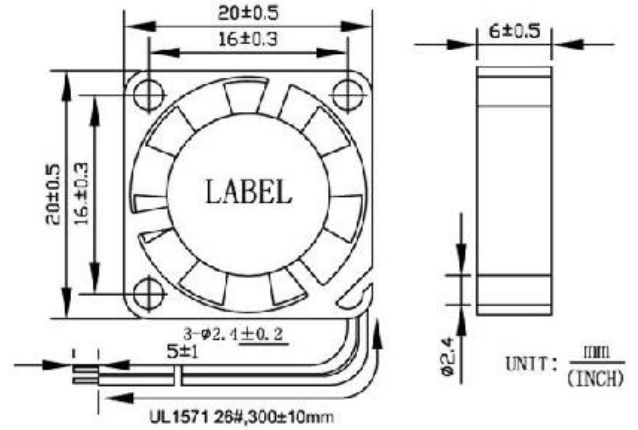
实力工厂
OEM加工

12年专业生产散热风扇

P&Q CURVE(AT RATEDVOLTAGE)



DIMENSIONS DRAWING



马达可选功能列表 (Available Functions)

1、马达保护(Motor protection)

RP	SS	LP	CL	OVP
●	○	●	○	○

2、信号输出(Signal out put)

FG	RD	RDB	LD
●	●	○	○

3、调速方式(Speed control mode)

PWM	TC	VC	CC	CS
○	○	○	○	○

MODEL	Rated Voltage	Operating Voltage Range	Rated Current	Rated Input Power	Speed	Maximum Air Flow	Maximum Air Pressure	Noise		
型号	额定电压	工作电压范围	额定电流	额定输入功率	转速	最大风量	最大风压	噪音		
PART NO.	VDC	VDC	Amp	Watt	R.PM	m ³ /min	CFM	mmH2O	INH2O	DB-A
XHD2006S5L	5	3.6 to 6.8	0.08	0.4	8000	0.022	CFM	1.95	0.077	21.5
XHD2006S5M	5	3.6 to 6.8	0.12	0.6	10000	0.027	CFM	2.22	0.087	25.6
XHD2006S5H	5	3.6 to 6.8	0.16	0.8	12000	0.032	CFM	2.69	0.106	31.2
XHD2006S12L	12	6.0 to 13.5	0.04	0.48	8000	0.022	CFM	1.95	0.077	21.5
XHD2006S12M	12	6.0 to 13.5	0.06	0.72	10000	0.027	CFM	2.22	0.087	25.6
XHD2006S12H	12	6.0 to 13.5	0.1	1.2	12000	0.032	CFM	2.69	0.106	31.2

如果你需要的转速或电压或功率不在这清单上，请与我们联系。If you want another rpm or voltage or functions which one in the list, please contact with our sales.

提示1：功能的具体信息参照产品目录前页篇章。Notes 1: The catalog have detail information in the front page for the functions.

提示2：产品详细信息请参照承认书。Notes 2: Product have a detail in the approval sheet.

提示3：产品规格变更不另行通知。Notes 3: Specifications are subject to change without notice.