

JAN 31 2000 11:20



工程文件 制訂 / 變更 通知單

文件編號	DMO-860-054
ECN# :	
頁數	共 1 頁

文件名稱: DMI-8605V DATA SHEET	版次	原(口)版變更爲 版	日期	2000年(月)0日
文件制訂/變更內容摘要: (篇幅不足, 請以另紙附上。)				

新規格制訂

文件制訂/變更理由: (請詳細說明。)

*ECN 編號由文件中心提供。

制訂人	制訂部門主管	工程審核	品保審核	生技審核	製一審核	製二審核	製一	製二	生管	品保	OEM	生技	採購
研發二部 許莉娟 JAN 10 2000	研發二部 巫世裕 JAN 13 2000	研發二部 陳興國 JAN 12 2000					R/D	恆光	外包	業務	苑裡		總辦室
							複						
							印						

FEB 21 2000

德光電子工業股份有限公司



EVERLIGHT ELECTRONICS CO., LTD.




DATA SHEET

MODEL NO : IRM-8605V

DATE : JAN,10,2000

DEPARTMENT : R&D 2

REVISION : 1.0

RECEIVED			
<input checked="" type="checkbox"/> MASS PRODUCTION			
<input type="checkbox"/> PRELIMINARY			
<input type="checkbox"/> CUSTOMER DESIGN			
DEVICE NUMBER : DMO-860-054			
PAGE : 8			
CUSTOMER	DESIGNER	CHECKER	APPROVER
			

REV	DESCRIPTION	RELEASE DATE

OFFICE: NO 25, Lane 76, Chung Yang Rd, Sec.3 Tucheng, Taipei 236, Taiwan, R.O.C.

TEL : 886-2-2267-2000, 2266-9936 (22 Lines)

FAX : 886-2-2267-6189

<http://www.everlight.com>



EVERLIGHT ELECTRONICS CO., LTD.

DEVICE NUMBER : DMO-860-054 REV : 1.0
ECN : _____ PAGE : 1/8

Infrared Remote-control Receiver Module

MODEL NO : IRM-8605V

■ Features :

- High protection ability to EMI and metal case can be customized.
- Mold type and metal case type to meet the design of front panel.
- Elliptic lens to improve the characteristic against
- Line-up for various center carrier frequencies.
- Low voltage and low power consumption.
- High immunity against ambient light.
- Photodiode with integrated circuit.
- TTL and CMOS compatibility.
- Long reception distance.
- High sensitivity.

■ Description :

- The device is a miniature type infrared remote control system receiver which has been developed and designed by utilizing the most updated IC technology. The PIN diode and preamplifier are assembled on lead frame, the epoxy package is designed as an IR filter. The demodulated output signal can directly be decoded by a microprocessor.

■ Applications :

1. Optical switch
 2. Light detecting portion of remote control
- AV instruments such as Audio, TV, VCR, CD, MD, etc.
 - Home appliances such as Air-conditioner, Fan , etc.
 - The other equipments with wireless remote control.
 - CATV set top boxes
 - Multi-media Equipment

PART	MATERIAL	COLOR
IRM	Silicon	Black
Shell	Tinplate	Silver-white



EVERLIGHT ELECTRONICS CO., LTD.

DEVICE NUMBER : DMO-860-054 REV : 1.0
ECN : _____ PAGE : 2/8

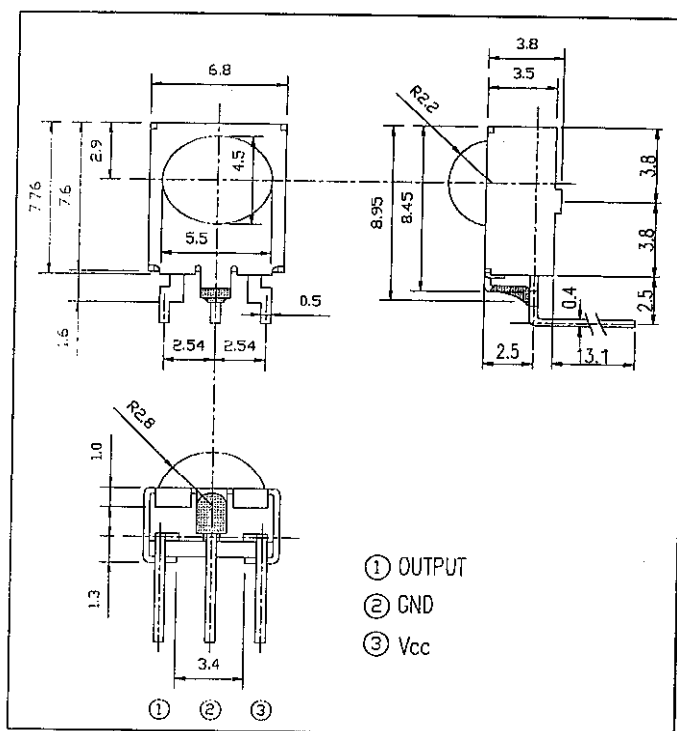
Infrared Remote-control Receiver Module

MODEL NO : IRM-8605V

■ NOTES :

1. This drawing measure is a standard value.
All dimensions are in millimeter.
2. In case of designation is tolerance $\pm 0.3\text{mm}$.
3. Lead spacing is measured where the lead emerge from the package.
4. Protruded resin under flange 1.0mm Max.
5. Lens color: Black.
6. Above specification may be changed without notice. EVERLIGHT will reserve authority on material change for above specification.
7. These specification sheets include materials protected under copyright of EVERLIGHT corporation. Please don't reproduce or cause anyone to reproduce them without EVERLIGHT consent.
8. When using this produce, please observe the absolute maximum ratings and the instructions for use outlined in these specification sheets. EVERLIGHT assumes no responsibility for any damage resulting from use of the product which does not comply with the absolute maximum ratings and the instructions included in these specification sheets.

■ Package Dimension :





EVERLIGHT ELECTRONICS CO., LTD.

DEVICE NUMBER : DMO-860-054 REV : 1.0
 ECN : _____ PAGE : 3/8

Infrared Remote-control Receiver Module

MODEL NO : IRM-8605V

■ Absolute Maximum Ratings at $T_A = 25^\circ\text{C}$

Parameter	Symbol	Rating	Unit	Notice
Supply Voltage	Vcc	0~6	V	
Operating Temperature	Topr	-30 ~ +85	°C	
Storage Temperature	Tstg	-40 ~ +85	°C	
Soldering Temperature	Tsol	260	°C	4mm from mold body less than 5 seconds

■ Electronic Optical Characteristics :

$T_A = 25^\circ\text{C}$

Parameter	Symbol	MIN.	TYP.	MAX.	Unit	Condition
Supply Voltage	Vcc	4.5	5	5.5	V	DC voltage
Supply Current	Icc	---	---	3	mA	No signal input
B.P.F Center Frequency	Fo	---	38	---	KHz	
Peak Wavelength	λ_p	---	940	---	nm	
Reception Distance	D	8 4			m	At the ray axis *1
Half Angle(Horizontal)	θ_h	---	45	---	deg	
Half Angle(Vertical)	θ_v	---	35	---	deg	
High Level Pulse Width	T_H	400	---	800	μs	At the ray axis *2
Low Level Pulse Width	T_L	400	---	800	μs	
High Level Output Voltage	V_H	4.5	---	---	V	
Low Level Output Voltage	V_L	---	0.2	0.5	V	



EVERLIGHT ELECTRONICS CO., LTD.

DEVICE NUMBER : DMO-860-054 REV : 1.0
ECN : _____ PAGE : 4/8

Infrared Remote-control Receiver Module

MODEL NO : IRM-8605V

■ Appendix of Page 3 :

*1: The ray receiving surface at a vertex and relation to the ray axis in the range of $\phi = 0^\circ$ and $\phi = 45^\circ$.

*2: A range from 30cm to the arrival distance. Average value of 50 pulses.

■ Test Method :

The specified electro-optical characteristics is satisfied under the following Conditions at the controllable distance.

① Measurement place

A place that is nothing of extreme light reflected in the room.

② External light

Project the light of ordinary white fluorescent lamps which are not high Frequency lamps and must be less than 10 Lux at the module surface.

($E_e \leq 10\text{Lux}$)

③ Standard transmitter

A transmitter whose output is so adjusted as to $V_o = 400\text{mVp-p}$ and the output Wave form shown in Fig.-1. According to the measurement method shown in Fig.-2 the standard transmitter is specified.

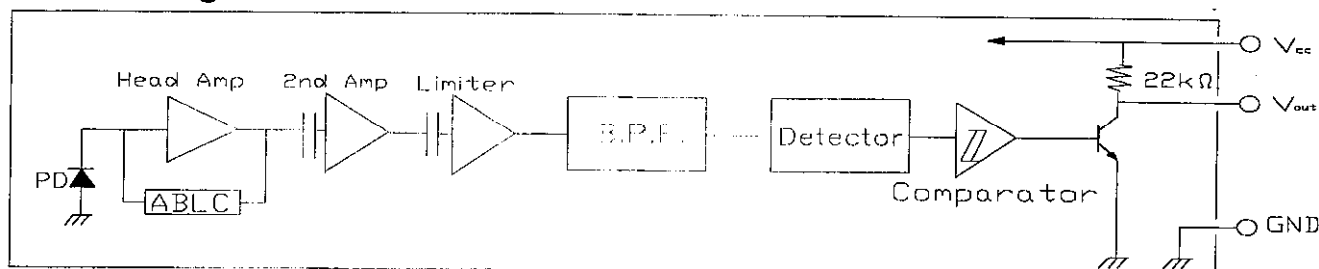
However, the infrared photodiode to be used for the transmitter should be $\lambda_p = 940\text{nm}$, $\Delta\lambda = 50\text{nm}$. Also, photodiode is used of PD438B ($V_r = 5\text{V}$).

(Standard light / Light source temperature 2856°K).

④ Measuring system

According to the measuring system shown in Fig.-3

■ Block Diagram :





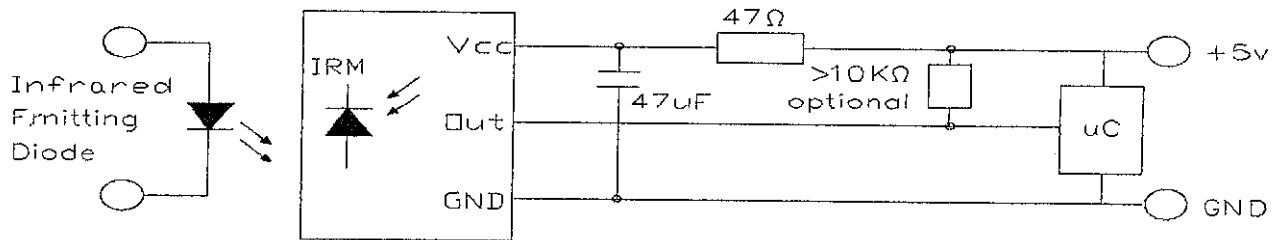
EVERLIGHT ELECTRONICS CO., LTD.

DEVICE NUMBER : DMO-860-054 REV : 1.0
 ECN : _____ PAGE : 5/8

Infrared Remote-control Receiver Module

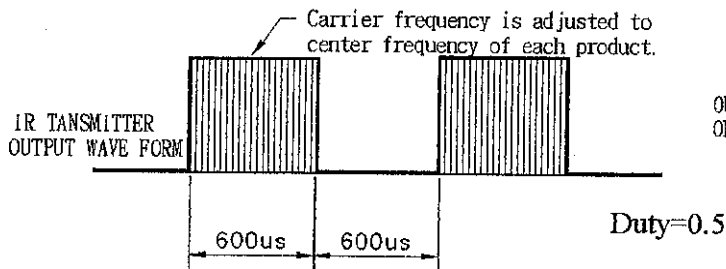
MODEL NO : IRM-8605V

Application Circuit :



RC Filter should be connected closely between Vcc pin and GND pin.

Fig.-1 Transmitter Wave Form



D.U.T output Pulse

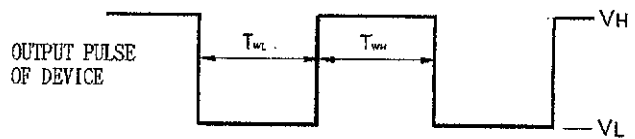


Fig.-2 Measuring Method

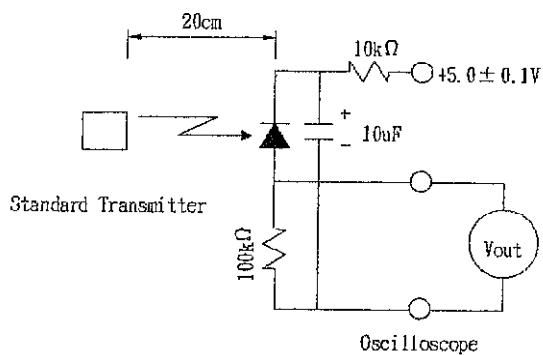
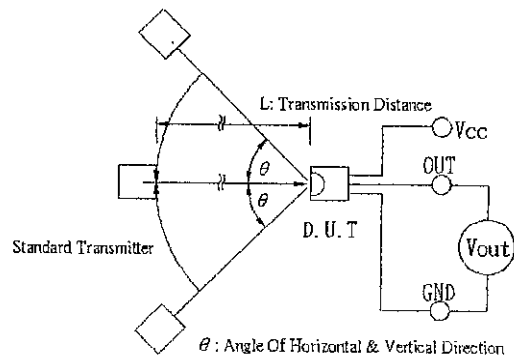


Fig.-3 Measuring System





EVERLIGHT ELECTRONICS CO., LTD.

DEVICE NUMBER : DMO-860-054 REV : 1.0
ECN : _____ PAGE : 6/8

Infrared Remote-control Receiver Module

MODEL NO : IRM-8605V

TYPICAL ELECTRICAL/OPTICAL/CHARACTERISTICS CURVES

Fig.-4 Relative Spectral Sensitivity vs. Wavelength

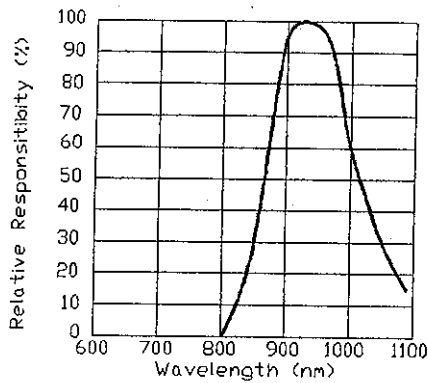


Fig.-5 Relative Transmission Distance vs. Direction

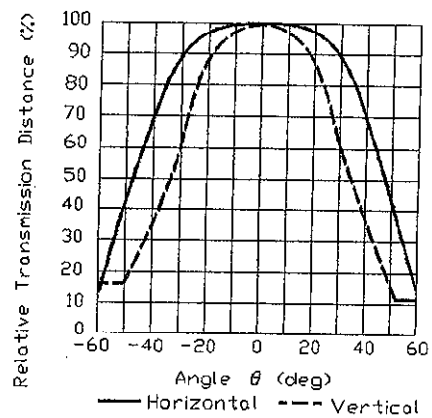


Fig.-6 Output Pulse Length vs. Arrival Distance

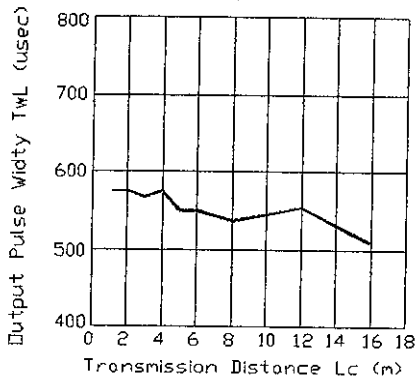


Fig.-7 Arrival Distance vs. Supply Voltage

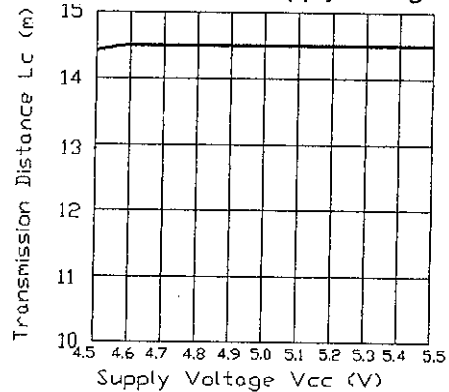


Fig.-8 Relative Transmission Distance vs. Center Carrier Frequency

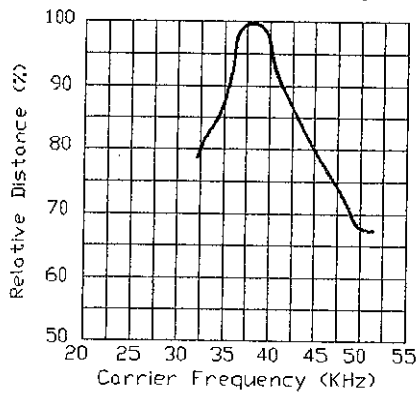
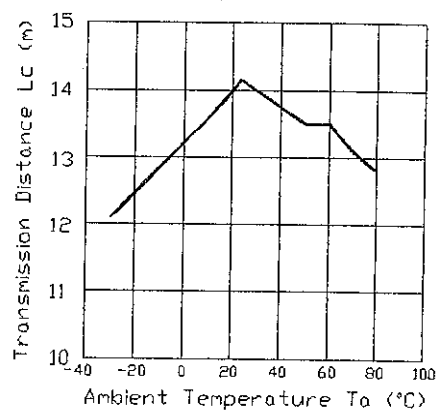


Fig.-9 Arrival Distance vs. Ambient Temperature





EVERLIGHT ELECTRONICS CO., LTD.

DEVICE NUMBER : DMO-860-054 REV : 1.0ECN : _____ PAGE : 7/8

Infrared Remote-control Receiver Module

MODEL NO : IRM-8605V

■ Reliability Test Item And Condition

The reliability of products shall be satisfied with items listed below.

Confidence level: 90%

LTPD: 10%

Test Items	Test Conditions	Failure Judgement Criteria	Samples(n) Defective(c)
Operation life	Vcc=5V, Ta:25°C 1000hrs	$L_0 \leq L \times 0.8$ $L_{45} \leq L \times 0.8$ L: Lower specification limit	n=22,c=0
Temperature cycle	1 cycle -40°C +25°C +85°C (30min)(5min)(30min) 50 cycle test		n=22,c=0
Thermal shock	-10°C to +100°C (5min) (10sec) (5min) 50 cycle test		n=22,c=0
High temperature storage	Temp: +85°C 1000hrs		n=22,c=0
Low temperature storage	Temp: -40°C 1000hrs		n=22,c=0
High temperature High humidity	Ta: 85°C, RH:85% 1000hrs		n=22,c=0
Solder heat	Temp: 260± 5°C 5sec 4mm Form the bottom of the package.		n=22,c=0
Solderability	Temp: 230± 5°C 5sec 4mm Form the bottom of the package.	More than 90% of Lead to be covered by soldering	n=22,c=0



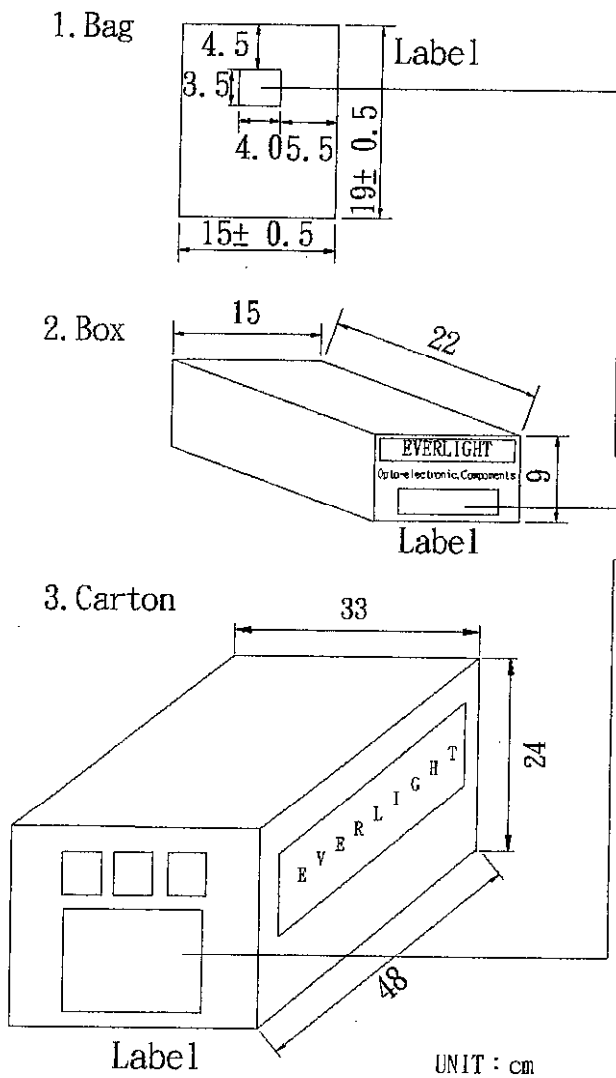
EVERLIGHT ELECTRONICS CO., LTD.

DEVICE NUMBER : DMO-860-054 REV : 1.0
ECN : _____ PAGE : 8/8

Infrared Remote-control Receiver Module

MODEL NO : IRM-8605V

■ Packing Specifications



CPN:
P/N:



IRM-8605V

QTY:



CAT:
HUE:
REF:

LOT NO:

MADE IN TAIWAN

CPN : Customer's Production Number
P/N : Production Number
QTY : Packing Quantity
CAT : Ranks
HUE : Peak Wavelength
REF : Reference
LOT NO : Lot Number
MADE IN TAIWAN : Production place

■ Packing Quantity Specification

1. 250 Pcs/1Bag , 6 Bags/1Box
2. 10 Boxes/1Carton