

插孔插针系列



焊锡式



压线式



插板式



螺纹式



爪簧结构



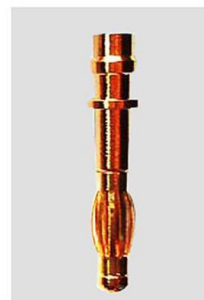
片簧结构



冠簧结构



U形槽结构

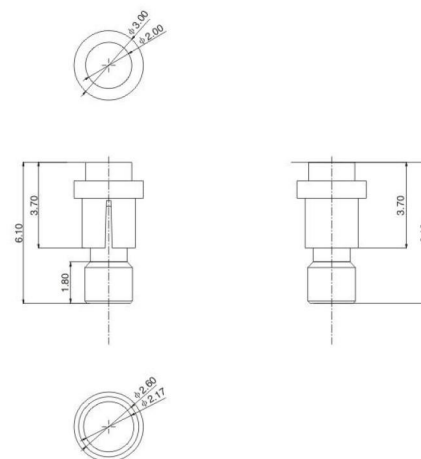


鼓簧结构



● JC397

- 1.MATERIAL**
1-1 CONTACT PIN: COPPER ALLOY
1-2 SOLDER PAD: COPPER ALLOY
1-3 SPRING: SWP-B.PIANO WIRE OR EQUIVALENT
1-4 HOUSING: HIGH-TEMPRESIN RATED, UL-94V-0,BLACK
- 2.MECHERCAL SPECIFICATION:**
2-1 CONTACTFORCE(PER CONTACT): 85±20gf AT 0.70mm WORKING HEIGHT
2-2 MAXMUM FULL STROKE: 1.20mm WORKING HEIGHT: 0.7 mm
2-3 DURABILITY: 10,000 CYCLES
- 3.ELECTRICAL SPECIFICATION:**
3-1 RATED VOLTAGE(PER CONTACT): 12 VOLTS MAX.
3-2 RATED CURRENT(PER CONTACT): 2 AMPS MAX.
3-3 CONTACT RESISTANCE: 30 MILLIOHMS MAX.



● JC625

- 1.MATERIAL**
1-1 CONTACT PIN: COPPER ALLOY
1-2 SOLDER PAD: COPPER ALLOY
1-3 SPRING: SWP-B.PIANO WIRE OR EQUIVALENT
1-4 HOUSING: HIGH-TEMPRESIN RATED, UL-94V-0,BLACK
- 2.MECHERCAL SPECIFICATION:**
2-1 CONTACTFORCE(PER CONTACT): 30±15gf AT 0.10mm WORKING HEIGHT
2-2 MAXMUM FULL STROKE: 1.8mm WORKING HEIGHT: 0.10mm
2-3 DURABILITY: 10,000 CYCLES
- 3.ELECTRICAL SPECIFICATION:**
3-1 RATED VOLTAGE(PER CONTACT): 12 VOLTS MAX.
3-2 RATED CURRENT(PER CONTACT): 2 AMPS MAX.
3-3 CONTACT RESISTANCE: 30 MILLIOHMS MAX.

