



● JC283

1.MATERIAL

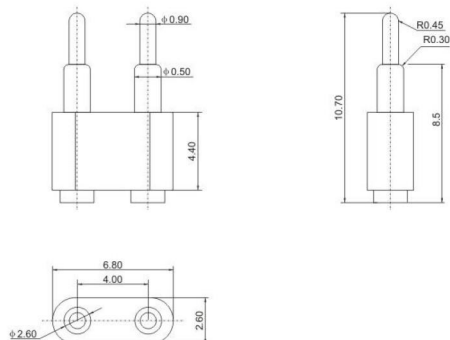
- 1-1 CONTACT PIN: COPPER ALLOY
- 1-2 SOLDER PAD: COPPER ALLOY
- 1-3 SPRING: SWP-B.PIANO WIRE OR EQUIVALENT
- 1-4 HOUSING: HIGH-TEMPRESIN RATED, UL-94V-0.BLACK

2.MECHERCAL SPECIFICATION:

- 2-1 CONTACTFORCE(PER CONTACT): 130+20gf AT 1.4mm WORKING HEIGHT
- 2-2 MAXMUM FULL STROKE: 2.2 mm WORKING HEIGHT: 1.4mm
- 2-3 DURABILITY: 10,000 CYCLES

3.ELECTRICAL SPECIFICATION:

- 3-1 RATED VOLTAGE(PER CONTACT): 12 VOLTS MAX.
- 3-2 RATED CURRENT(PER CONTACT): 2 AMPS MAX.
- 3-3 CONTACT RESISTANCE: 30 MILLIOHMS MAX.



● JC237

NOTE:

PRODUCT TO BE MET TYCO SPEC 230-702

1.MATERIAL

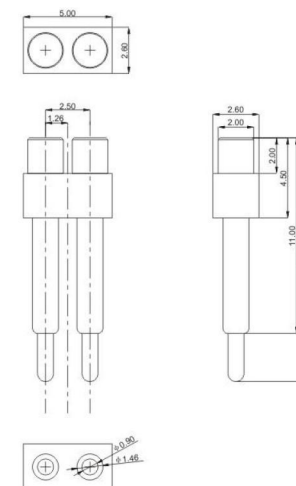
- HOUSING:PA16 +30%GF,UL94V-0,COLOR:BLACK
- PLUNGER:BRASS,3u"GOLD PLATING 50u"MIN,NICKEL UNDERPLATEE
- BARREL:BRASS,3u"GOLD PLATING OVER 50u"MIN,NICKEL UNDERPLATED
- SPRING:SUS304

2.SPECIFICATION:

- ELECTRICAL
- CURRENTRATING:12VDC,1A
- INSULATION RESISTANCE:100m Min
- CONTACT RESISTANCE: 50m Max
- ENVIRONMENTAL:
- TEMPERATURE RANGE:40°C ~85°C

3.MECHANICAL FUNCTION:

- SPRLNG PROBE FORCE:
- WORKING STROKE:130g±25g AT 2.20mm RECOMMEND STROE
- MAX.STROKE:2.7mm FULL STROKE.
- DURABILITY:10,000 CYCLES/2.20MM STROKE



● JC108

NOTE:

PRODUCT TO BE MET TYCO SPEC 230-702

1.MATERIAL

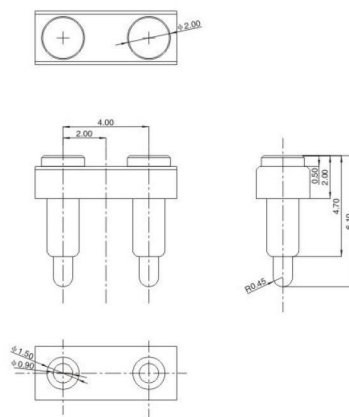
- HOUSING:PA46 +30%GF,UL94V-0,COLOR:BLACK
- PLUNGER:BRASS,3u"GOLD PLATING 50u"MIN,NICKEL UNDERPLATEE
- BARREL:BRASS,3u"GOLD PLATING OVER 50u"MIN,NICKEL UNDERPLATED
- SPRING:SUS304

2.SPECIFICATION:

- ELECTRICAL
- CURRENTRATING:12VDC,1A
- INSULATION RESISTANCE:100m Min
- CONTACT RESISTANCE: 50m Max
- ENVIRONMENTAL:
- TEMPERATURE RANGE:40°C ~85°C

3.MECHANICAL FUNCTION:

- SPRLNG PROBE FORCE:
- WORKING STROKE:130g±25g AT 0.9mm RECOMMEND STROE
- MAX.STROKE:1.30mm FULL STROKE.
- DURABILITY:10,000 CYCLES/0.90mm STROKE



● JC237

NOTES:

1.MATERIAL

- INSUATOR:HIGH TEMPERATURE PLASTIC(UL94V-0),PA-46
- PLUNGER:BRASS,3u"GOLD PLATING 50u"MIN UNDERPLATED.
- BARREL:BRASS,3u"GOLD PLATING OVER 50u"MIN NICKEL UNDERPLATED
- SPRING:STAINLESS STEEL

2.SPECIFICATION:

- ELECTRICAL
- CURRENT RATING:12VDC,1A
- INSULATIN RESISTANCE:15mU+2126 Min
- CONTACT RESISTANCE: 50M/U+2126 Max
- ENVIRONMENTAL
- TEMPERATURE RANGE:40°C ~85°C

3.MECHANICAL FUNCTION:

- SPRING PROBE FORCE
- WORKING STROKE :280g±30g AT 1.8mm RECOMMEND STROE
- MAX STROKE:AT 2.3mm FULL STROKE
- DURABILITY:10,000 CYCLES/1.8mm STROKE

