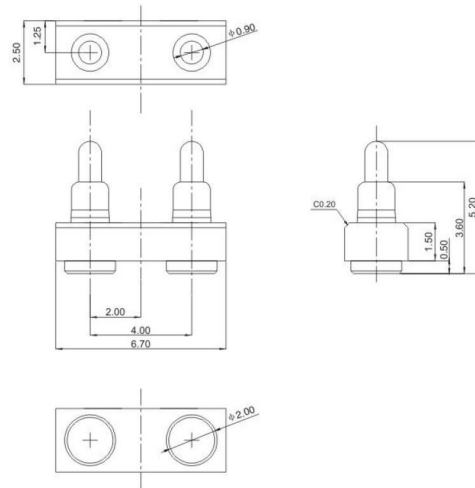




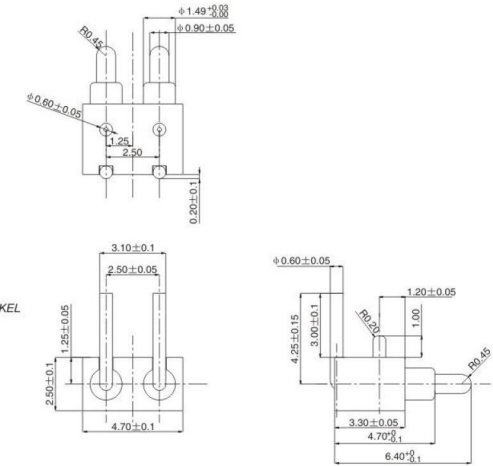
● JC407

NOTE:
PRODUCT TO BE MET TYCO SPEC 230-702
1. MATERIAL
HOUSING: PA46+30%GF, UL94V-0, COLOR: BLACK
PLUNGER: BRASS, 3u" GOLD PLATING 50u" MIN NICKEL
UNDERPLATED
BARREL: BRASS, 3u" GOLD PLATING OVER 50u" MIN NICKEL
UNDERPALTED
SPRING: SUS304
2. SPECIFICATION:
ELECTRICAL
CURRENT RATING: 12VDC, 1A
INSULATION RESISTANCE: 100m Min
CONTACT RESISTANCE: 50m Max
ENVIRONMENTAL:
TEMPERATURE RANGE: -40°C ~ -85°C
3. MECHANICAL FUNCTION:
WORKING STROKE: 85±20gf AT 1.20mm
RECOMMEND STROE
MAX. STROKE: 1.6mm FULL STROKE
DURABILITY: 10,000 CYCLES/1.20mm STROKE



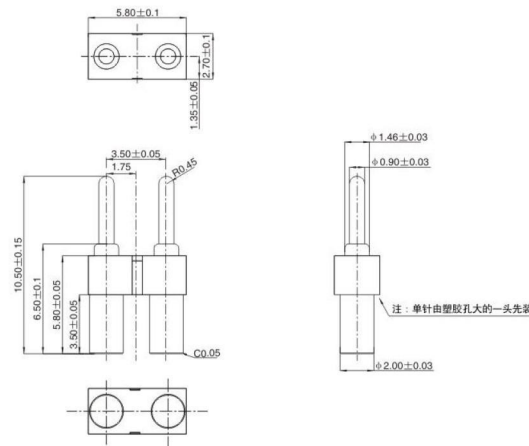
● JC477

NOTE:
PRODUCT TO BE MET ROHS
1. MATERIAL
HOUSING: PA46 + 30%GF, UL94V-0, COLOR: BALCK
PLUNGER: (青铜), 1u" GOLD PLATING 50u" MIN NICKEL
UNDERPLATE
BARREL: BRASS(C3604), Ju" GOLD PLATING OVER 50u" MIN NICKEL
UNDERPLATED
SPRING: SUS304
2. SPECIFICATION
ELECTRICAL
CURRENT RATING: 12VDC, 1A
CONTACT RESISTANCE: 50M Max
ENVIRONMENTAL:
TEMPERATURE RANGE: -40°C ~ -85°C
3. MECHANICAL FUNCTION:
SPRING PROBE FORCE:
SPRING PROBE FORCE:
WORKING STROKE (SINGLE PIN): 100gf±25gf AT 1.00mm RECOMMEND STROE
MAX. STROKE: 1.50mm FULL STROKE
DURABILITY: 10,000 CYCLES 1.0mm STROKE



● JC501

NOTE:
PRODUCT TO BE MET ROHS
1. MATERIAL
HOUSING: PA46+30%GF, UL94V-0, COLOR: BLACK
PLUNGER: BRASS, 3u" GOLD PLATING 50u" MIN NICKEL
UNDERPLATED
BARREL: BRASS, 3u" GOLD PLATING OVER 50u" MIN NICKEL
UNDERPALTED
SPRING: SUS304
2. SPECIFICATION:
ELECTRICAL
CURRENT RATING: 12VDC, 1A
INSULATION RESISTANCE: 100m Min
CONTACT RESISTANCE: 50m Max
ENVIRONMENTAL:
TEMPERATURE RANGE: -40°C ~ -85°C
3. MECHANICAL FUNCTION:
WORKING STROKE(SINGLE PIN): 80±25gf AT 1.50mm
RECOMMEND STROE
MAX. STROKE: 3.50mm FULL STROKE
DURABILITY: 10,000 CYCLES/1.50mm STROKE



● JC384

NOTE:
PRODUCT TO BE MET ROHS
1. MATERIAL
HOUSING: PA46+30%GF, UL94V-0, COLOR: BLACK
PLUNGER: BRASS, 3u" GOLD PLATING
50u" MIN NICKEL UNDERPLATE
BARREL: BRASS, 3u" GOLD PLATING OVER
50u" MIN NICKEL UNDER PLATED
SPRING: SUS304
2. SPECIFICATION
ELECTRICAL
CURRENT RATING: 12VDC, 1A
INSULATION RESISTANCE: 100m Min
ENVIRONMENTAL:
TEMPERATURE RANGE: -40°C ~ -85°C
3. MECHANICAL FUNCTION
SPRING PROBE FORCE
WORKING STROKE: 100gf±20gf AT 1.00mm RECOMMEND STROE
MAX. STROKE: 1.30mm FULL STROKE
DURABILITY: 10,000 CYCLES/1.00mm STROKE

