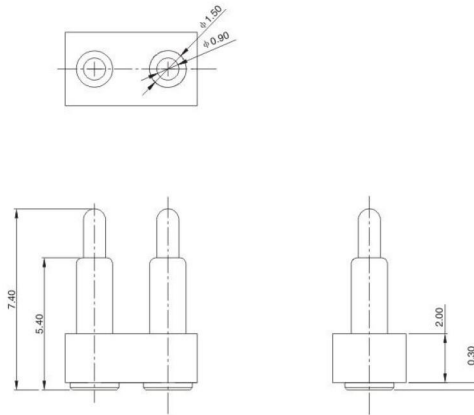




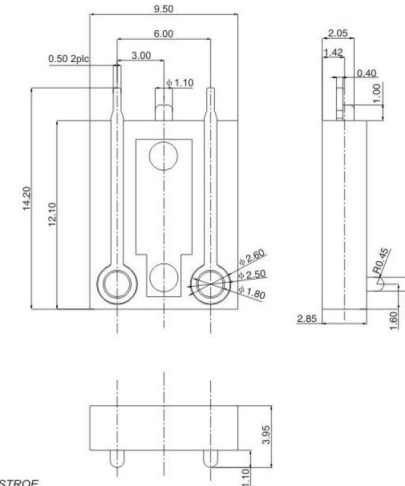
● JC 385

NOTE:
PRODUCT TO BE MET ROHS
1. MATERIAL
HOUSING: PA46+30%GF, UL94V-0, COLOR: BLACK
PLUNGER: BRASS, 3 μ r GOLD PLATING
50 μ r MIN. NICKEL UNDERPLATEE
BARREL: BRASS, 3 μ r GOLD PLATING OVER
50 μ r MIN. NICKEL UNDER PLATED
SPRING: SUS304
2. SPECIFICATION
ELECTRICAL
CURRENT RATING: 12VDC, 1A
INSULATION RESISTANCE: 100m Min
ENVIRONMENTAL
TEMPERATURE RANGE: -40 $^{\circ}$ C ~85 $^{\circ}$ C
3. MECHANICAL FUNCTION
SPRING PROBE FORCE
WORKING STROKE: 100g \pm 20gf AT 1.00mm RECOMMEND STROE
MAX. STROKE: 1.30MM FULL STROKE
DURABILITY: 10,000 CYCLES/1.00mm STROKE



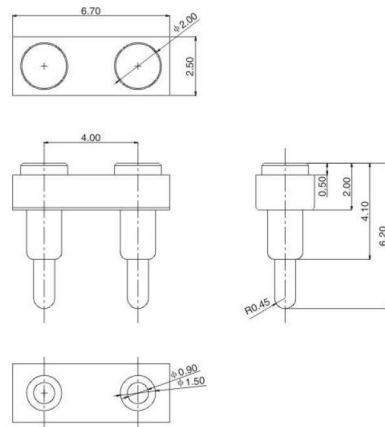
● JC 491

NOTE:
PRODUCT TO BE MET ROHS
1. MATERIAL
HOUSING: PA46+30%GF, UL94V-0, COLOR: BLACK
PLUNGER: BRASS, 3 μ r GOLD PLATING
50 μ r MIN. NICKEL UNDERPLATEE
BARREL: BRASS, 3 μ r GOLD PLATING OVER
50 μ r MIN. NICKEL UNDER PLATED
SPRING: SUS304
2. SPECIFICATION
ELECTRICAL
CURRENT RATING: 12VDC, 1A
INSULATION RESISTANCE: 100m Min
ENVIRONMENTAL
TEMPERATURE RANGE: -40 $^{\circ}$ C ~85 $^{\circ}$ C
3. MECHANICAL FUNCTION
SPRING PROBE FORCE
WORKING STROKE: 100g \pm 20gf AT 1.00mm RECOMMEND STROE
MAX. STROKE: 1.30MM FULL STROKE
DURABILITY: 10,000 CYCLES/1.00mm STROKE



● JC 389

NOTE:
PRODUCT TO BE MET ROHS
1. MATERIAL
HOUSING: PA46+30%GF, UL94V-0, COLOR: BLACK
PLUNGER: BRASS, 3 μ r GOLD PLATING
50 μ r MIN. NICKEL UNDERPLATEE
BARREL: BRASS, 3 μ r GOLD PLATING OVER
50 μ r MIN. NICKEL UNDER PLATED
SPRING: SUS304
2. SPECIFICATION
ELECTRICAL
CURRENT RATING: 12VDC, 1A
INSULATION RESISTANCE: 100m Min
ENVIRONMENTAL
TEMPERATURE RANGE: -40 $^{\circ}$ C ~85 $^{\circ}$ C
3. MECHANICAL FUNCTION
SPRING PROBE FORCE
WORKING STROKE: 100g \pm 20gf AT 1.00mm RECOMMEND STROE
MAX. STROKE: 1.30MM FULL STROKE
DURABILITY: 10,000 CYCLES/1.00mm STROKE



● JC 588

NOTE:
PRODUCT TO BE MET ROHS
1. MATERIAL
HOUSING: PA46+30%GF, UL94V-0, COLOR: BLACK
PLUNGER: BRASS, 3 μ r GOLD PLATING
50 μ r MIN. NICKEL UNDERPLATEE
BARREL: BRASS, 3 μ r GOLD PLATING OVER
50 μ r MIN. NICKEL UNDER PLATED
SPRING: SUS304
2. SPECIFICATION
ELECTRICAL
CURRENT RATING: 12VDC, 1A
INSULATION RESISTANCE: 100m Min
ENVIRONMENTAL
TEMPERATURE RANGE: -40 $^{\circ}$ C ~85 $^{\circ}$ C
3. MECHANICAL FUNCTION
SPRING PROBE FORCE
WORKING STROKE: 100g \pm 20gf AT 1.00mm RECOMMEND STROE
MAX. STROKE: 1.30MM FULL STROKE
DURABILITY: 10,000 CYCLES/1.00mm STROKE

