



● JC538

**1.MATERIAL**

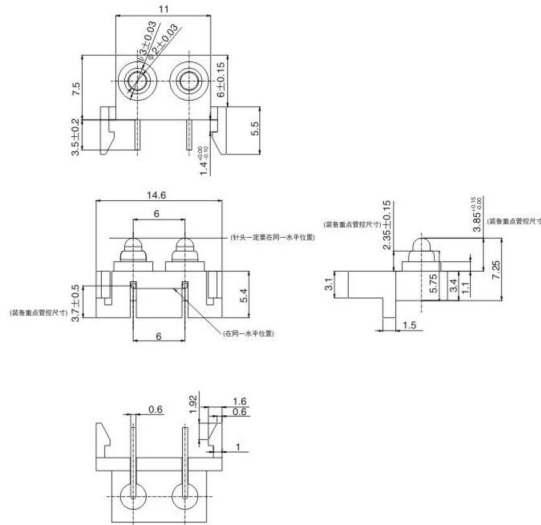
- 1-1 CONTACT PIN: COPPER ALLOY
- 1-2 SOLDER PAD: COPPER ALLOY
- 1-3 SPRING: SWP-B.PIANO WIRE OR EQUIVALENT
- 1-4 HOUSING: HIGH-TEMPRESIN RATED, UL-94V-0.BLACK

**2.MECHERCAL SPECIFICATION:**

- 2-1 CONTACTFORCE(PER CONTACT):  
90±25gf AT 1.0mm WORKING HEIGHT
- 2-2 MAXMUM FULL STROKE: 1.5mm  
WORKING HEIGHT: 1.0mm
- 2-3 DURABILITY: 10,000 CYCLES

**3.ELECTRICAL SPECIFICATION:**

- 3-1 RATED VOLTAGE(PER CONTACT): 12 VOLTS MAX.
- 3-2 RATED CURRENT(PER CONTACT): 2 AMPS MAX.
- 3-3 CONTACT RESISTANCE: 30 MILLIOHMS MAX.



● JC588

**1.MATERIAL**

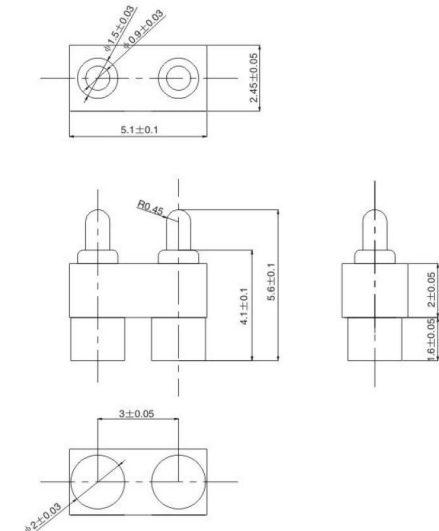
- 1-1 CONTACT PIN: COPPER ALLOY
- 1-2 SOLDER PAD: COPPER ALLOY
- 1-3 SPRING: SWP-B.PIANO WIRE OR EQUIVALENT
- 1-4 HOUSING: HIGH-TEMPRESIN RATED, UL-94V-0.BLACK

**2.MECHERCAL SPECIFICATION:**

- 2-1 CONTACTFORCE(PER CONTACT):  
80±20gf AT 1.0mm WORKING HEIGHT
- 2-2 MAXMUM FULL STROKE: 1.5mm  
WORKING HEIGHT: 1.0mm
- 2-3 DURABILITY: 10,000 CYCLES

**3.ELECTRICAL SPECIFICATION:**

- 3-1 RATED VOLTAGE(PER CONTACT): 12 VOLTS MAX.
- 3-2 RATED CURRENT(PER CONTACT): 2 AMPS MAX.
- 3-3 CONTACT RESISTANCE: 30 MILLIOHMS MAX.



● JC539

**1.MATERIAL**

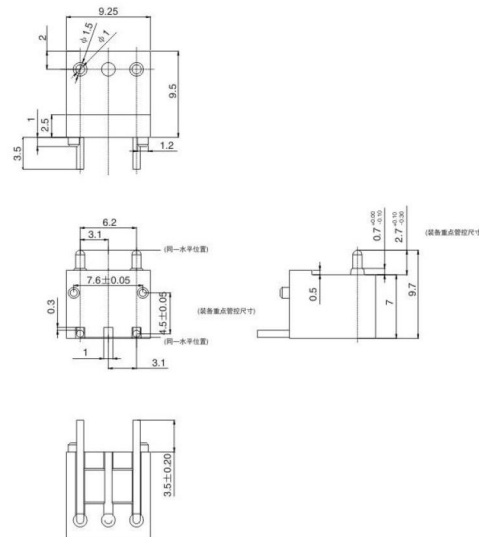
- 1-1 CONTACT PIN: COPPER ALLOY
- 1-2 SOLDER PAD: COPPER ALLOY
- 1-3 SPRING: SWP-B.PIANO WIRE OR EQUIVALENT
- 1-4 HOUSING: HIGH-TEMPRESIN RATED, UL-94V-0.BLACK

**2.MECHERCAL SPECIFICATION:**

- 2-1 CONTACTFORCE(PER CONTACT):  
90±20gf AT 1.0mm WORKING HEIGHT
- 2-2 MAXMUM FULL STROKE: 2.0mm  
WORKING HEIGHT: 1.0mm
- 2-3 DURABILITY: 10,000 CYCLES

**3.ELECTRICAL SPECIFICATION:**

- 3-1 RATED VOLTAGE(PER CONTACT): 12 VOLTS MAX.
- 3-2 RATED CURRENT(PER CONTACT): 2 AMPS MAX.
- 3-3 CONTACT RESISTANCE: 30 MILLIOHMS MAX.



● JC676

**1.MATERIAL**

- 1-1 CONTACT PIN: COPPER ALLOY
- 1-2 SOLDER PAD: COPPER ALLOY
- 1-3 SPRING: SWP-B.PIANO WIRE OR EQUIVALENT
- 1-4 HOUSING: HIGH-TEMPRESIN RATED, UL-94V-0.BLACK

**2.MECHERCAL SPECIFICATION:**

- 2-1 CONTACTFORCE(PER CONTACT):  
80±25gf AT 0.60mm WORKING HEIGHT
- 2-2 MAXMUM FULL STROKE: 1.0mm  
WORKING HEIGHT: 0.6mm
- 2-3 DURABILITY: 10,000 CYCLES

**3.ELECTRICAL SPECIFICATION:**

- 3-1 RATED VOLTAGE(PER CONTACT): 12 VOLTS MAX.
- 3-2 RATED CURRENT(PER CONTACT): 2 AMPS MAX.
- 3-3 CONTACT RESISTANCE: 30 MILLIOHMS MAX.

