

● JC498

**NOTE:**  
PRODUCT TO BE MET ROHS

**1. MATERIAL**

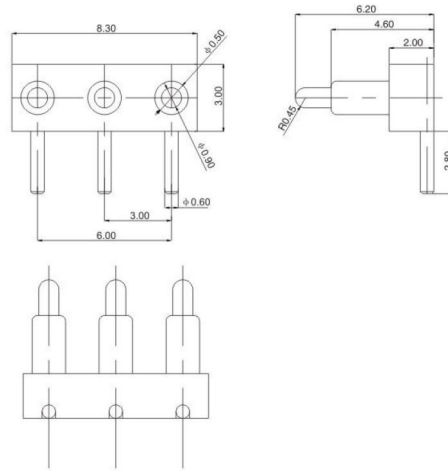
HOUSING:PA46 +30%GF,UL94V-0 COLOR:BLACK  
PLUNGER:BRASS,3u" GOLD PLATING 50u" MIN,NICKEL  
UNDERPALATEE  
BARREL:BRASS,3u" GOLD PLATING OVER 50u" MIN,NICKEL  
UNDERPLATED  
SPRING:SUS304

**2. SPECIFICATION:**

**ELECTRICAL**  
CURRENT RATING:12VDC,1A  
CONTACT RESISTANCE:50m Max  
**ENVIRONMENTAL**  
TEMPERATURE RANGE:40°C ~85°C

**3. MECHANICAL FUNCTION:**

SPRING PROBE FORCE  
WORKING STROKE(非PIN):110±20gf AT 0.7mm RECOMMENDS TROE  
MAX STROKE:1.10mm FULL STROKE  
DURABILITY:10,000 CYCLES/0.7mm STROKE  
\*V SHOWS DIP INSPECTION POINT



● JC162

**NOTE:**  
PRODUCT TO BE MET TYCO SPEC 230-702

**1. MATERIAL**

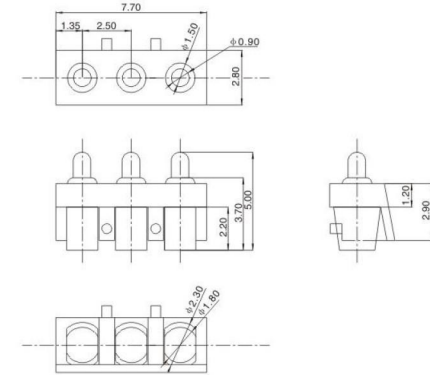
HOUSING:PA46 +30%GF,UL94V-0 COLOR:BLACK  
PLUNGER:BRASS,3u" GOLD PLATING 50u" MIN,NICKEL  
UNDERPALATEE  
BARREL:BRASS,3u" GOLD PLATING OVER 50u" MIN,NICKEL  
UNDERPLATED  
SPRING:SUS304

**2. SPECIFICATION:**

**ELECTRICAL**  
CURRENT RATING:12VDC,1A  
INSULATION RESISTANCE:100m Min  
CONTACT RESISTANCE:50m Max  
**ENVIRONMENTAL**  
TEMPERATURE RANGE:40°C ~85°C

**3. MECHANICAL FUNCTION:**

SPRING PROBE FORCE  
WORKING STROKE(PIN):80±25gf 0.8mm RECOMMEND STROKE  
MAX STROKE:1.30mm FULL STROKE  
DURABILITY:10,000 CYCLES/0.8mm STROKE



● JC051

**1. MATERIAL**

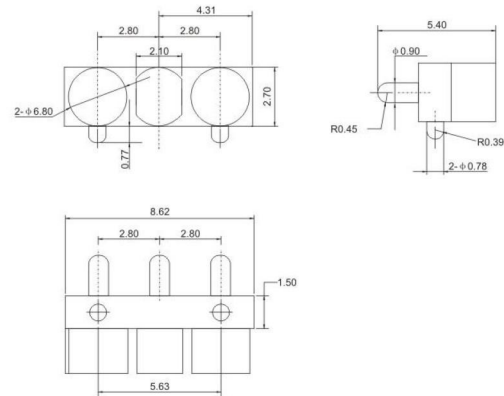
1-1 CONTACT PIN: COPPER ALLOY  
1-2 SOLDER PAD: COPPER ALLOY  
1-3 SPRING: SWP-B.PIANO WIRE OR EQUIVALENT  
1-4 HOUSING: HIGH-TEMPRESIN RATED,  
UL-94V-0,BLACK

**2. MECHERCAL SPECIFICATION:**

2-1 CONTACTFORCE(PER CONTACT):  
95±20gf AT 0.80mm WORKING HEIGHT  
2-2 MAXMUM FULL STROKE: 1.70mm  
WORKING HEIGHT: 0.80mm  
2-3 DURABILITY: 10,000 CYCLES

**3. ELECTRICAL SPECIFICATION:**

3-1 RATED VOLTAGE(PER CONTACT): 12 VOLTS MAX.  
3-2 RATED CURRENT(PER CONTACT): 2 AMPS MAX.  
3-3 CONTACT RESISTANCE: 30 MILLIOHMS MAX.



● JC385

**NOTE:**  
PRODUCT TO BE MET TYCO SPEC 230-702

**1. MATERIAL**

HOUSING:PA46+30%GF,UL94V-0,COLOR:BLACK  
PLUNGER:BRASS,3u" GOLD PLATING 50u" MIN,NICKEL  
UNDERPLATED  
BARREL:BRASS,3u" GOLD PLATING OVER 50u" MIN NICEK  
UNDERPLATED  
SPRING:SUS304

**2. SPECIFICATION:**

**ELECTRICAL**  
CURRENTRATNG:12VDC,1A  
INSULATION RESISTANCE:100m Min  
CONTACT RESISTANCE:50m Max  
**ENVIRONMENTAL**  
TEMPERATURE RANGE:40°C ~85°C

**3. MECHANICAL FUNCTION:**

SPRING PROBE FORCE  
WORKING STROKE:95±25gf AT 1.60mm RECOMMEND STROKE  
MAX STROKE:2.0mm FULL STROKE  
DURABILITY:10,000 CYCLES/1.60mm STROKE  
\*V SHOWS DIP INSPECTION POINT  
\*C SHOWS FAI MEASUREMENT POINT

