



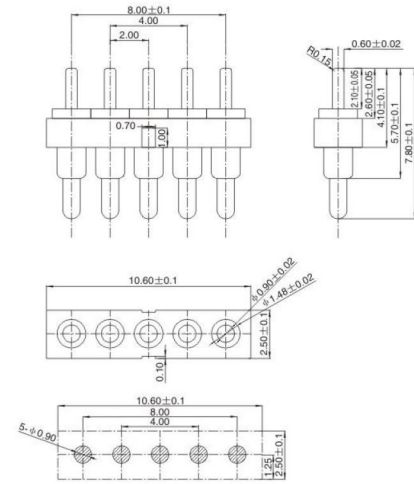
● JC500

**NOTE:**  
PRODUCT TO BE MET ROHS

**1. MATERIAL**  
HOUSING: Pa46 +30%GF,UL94V-0,COLOR: BALCK  
PLUNGER-BRASS,3u" GOLD PLATING 50u" MIN NICKEL  
UNDERPLATE  
BARREL-BRASS3u"GOLD PLATING OVER 50u"MIN,NICKEL  
UNDERPLATED  
SPRING: SUS304

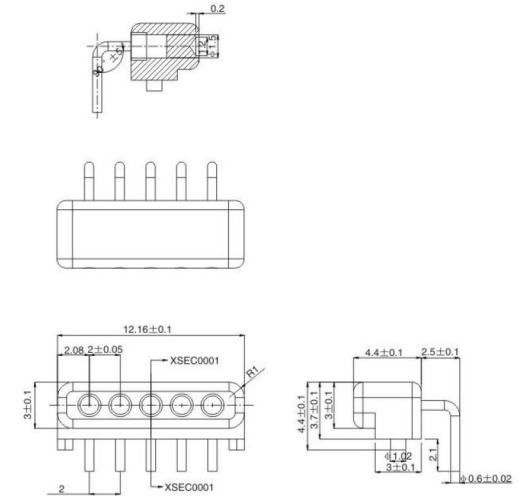
**2.SPECIFICATION**  
ELECTRICAL  
CURRENTRATNG:12VDC,1A  
INSULATION RESISTANCE:100m Min  
CONTACT RESISTANCE :50M Max  
ENVIRONMENTAL:  
TEMPRATURE RANGE:-40℃ -85℃

**3.MECHANICAL FUNCTION:**  
SPRING PROBE FORC:  
SPRING PROBE FORCE:  
WORKING STROKE (SINGLE PIN):95gf±25gf AT1.50mm RECOMMEND STROE  
MAX STROKE:1.70mm FULL STROKE  
\*▽ SHOWS QIP INSPECTION POINT.



● JC454 插针

**1.MATERIAL**  
1-1 CONTACT PIN: COPPER ALLOY  
1-2 SOLDER PAD: COPPER ALLOY  
1-3 SPRING: SWP-B.PIANO WIRE OR EQUIVALENT  
1-4 HOUSING: HIGH-TEMPRESIN RATED,  
UL-94V-0,BLACK



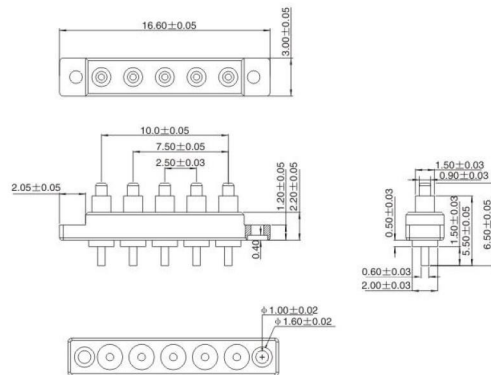
● JC544

**NOTE:**  
PRODUCT TO BE MET ROHS

**1. MATERIAL**  
HOUSING: PAA46+30%GF,UL94V-0,COLOR:BLACK  
PLUNGER-BRASS,3u" GOLD PLATING 50u"MIN NICKEL  
UNDERPLATED  
BARREL-BRASS,3u"GOLD PLATING OVER 50u"MIN NICKEL  
UNDERPALTED  
SPRING:SUS304

**2. SPECIFICATION:**  
ELECTRICAL  
CURRENT RATING:12VDC,1A  
INSULATION RESISTANCE:100m Min  
CONTACT RESISTANCE:60m Max  
ENVIRONMENTAL:  
TEMPERATURE RANGE:-40℃ -85℃

**3.MECHANICAL FUNCTION:**  
WORKING STROKE(SINGLE PIN):120±20gf AT 0.8mm  
RECOMMEND STROE  
MAX STROKE:1.10mm FULL STROKE  
DURABILITY:10,000 CYCLES/0.8mm STROKE



● JC709

**1.MATERIAL**  
1-1 CONTACT PIN: COPPER ALLOY  
1-2 SOLDER PAD: COPPER ALLOY  
1-3 SPRING: SWP-B.PIANO WIRE OR EQUIVALENT  
1-4 HOUSING: HIGH-TEMPRESIN RATED,  
UL-94V-0,BLACK

**2.MECHERCAL SPECIFICATION:**  
2-1 CONTACTFORCE(PER CONTACT):  
60±20gf AT 2.0mm WORKING HEIGHT  
2-2 MAXMUM FULL STROKE: 3.0mm  
WORKING HEIGHT: 2.0mm  
2-3 DURABILITY: 10,000 CYCLES

**3.ELECTRICAL SPECIFICATION:**  
3-1 RATED VOLTAGE(PER CONTACT): 12 VOLTS MAX.  
3-2 RATED CURRENT(PER CONTACT): 2 AMPS MAX.  
3-3 CONTACT RESISTANCE: 30 MILLIOHMS MAX.

