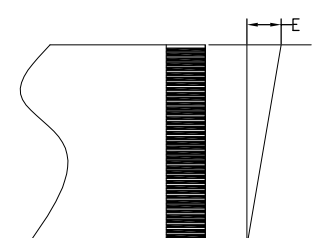
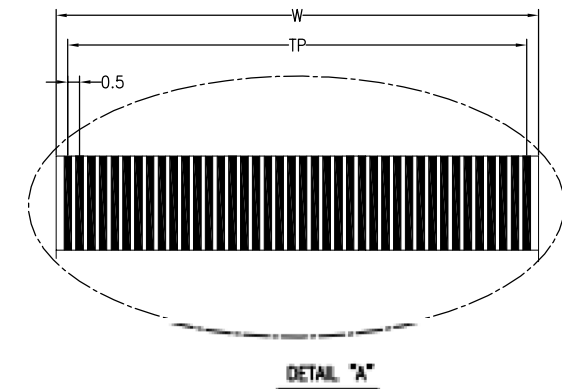
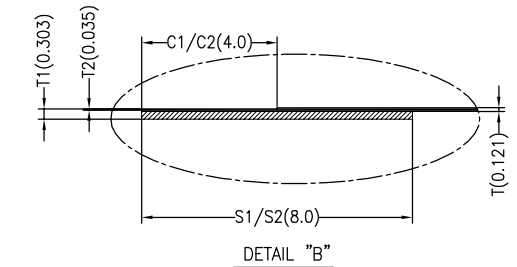
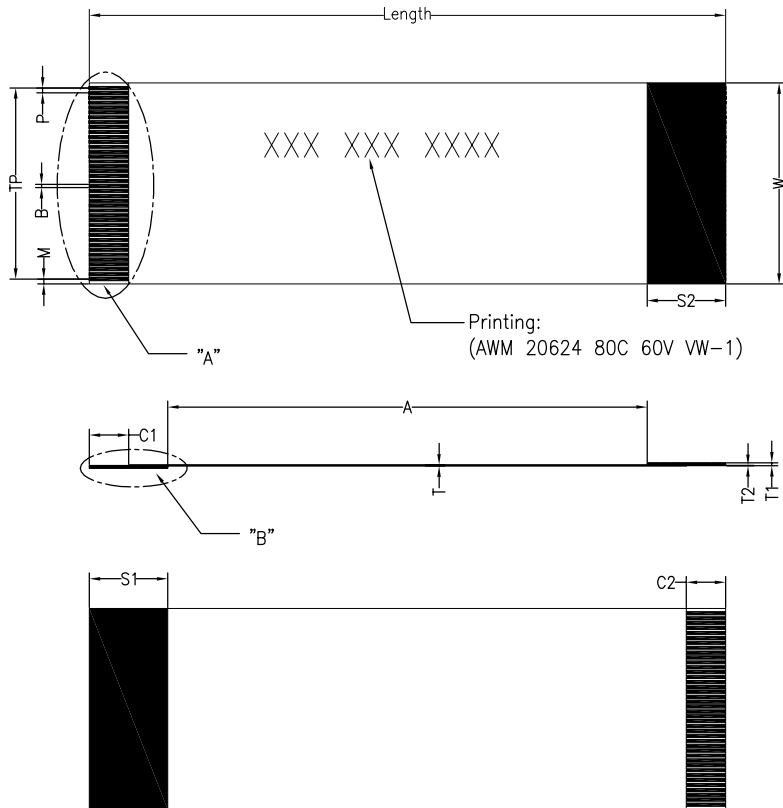


HSF RoHS

Symbol (记号)	Item (项目)	Specification (规格)
N	No.of Conductor(导体数)	4P~80P
L	Total Length(总长度)	L±5
A	Insulation Length(绝缘长度)	(L-16)±5
TP	Total Pitch(总间距)	0.5x(N-1)Pin±0.08
W	Width(总宽度)	0.5xNpin+0.5±0.08
P	Pitch(间距)	0.50±0.03
M	Margin(边缘宽度)	0.50±0.08
T	Cable thickness(线材厚度)	0.121±0.05
T1	Insert thickness(插入厚度)	0.303±0.05
C1/C2	Conductor Strip Length(导体长度)	4.0±1.0
S1/S2	Supporting Tape Length(补强板长度)	8.0±2.0
T2	Conductor thickness(导体厚度)	0.035±0.005
B	Conductor Width(导体宽度)	0.30±0.03
E	Slanting(线口倾斜度)	<0.5
--	Conductor Material(导体材料)	Tinned Copper 镀锡扁平铜线
--	Insulation Material(绝缘材料)	Flame retardand polyester(阻燃)
--	Supporting Tape Material(补强板材料)	PET
--	Supporting Tape Color(补强板颜色)	蓝色 BLUE
--	Supporting Tape Spec(补强板规格)	0.225mm



Ordering Information

FFC - 05 XX XXX B 01

Pitch
05=0.5pitch

No.of Pins
4P~80P

Length
100=100mm

OPERATION		DRAW	yiyusheng	20.12.03	SCALE	FIT
X.X	±0.30					
X.XX	±0.20	CHECK			UNIT	mm
X.XXX	±0.10				SIZE	A4
Angle	±3'	APPROVE			SHEET	1/1
DIM	TOL				PROJ.	◆

東莞市宏尚電子有限公司
Dongguan Hongshang Electronics Co.,Ltd

PART NO. FFC-05XXXXXB01

TITLE: 0.50 FFC Npin B-Type(4/4/8/8)

Customer:

REV	DATE	MODIFICATION DESCRIPTION	CHANGE
A0	2020.12.03	NEW DRAWING	