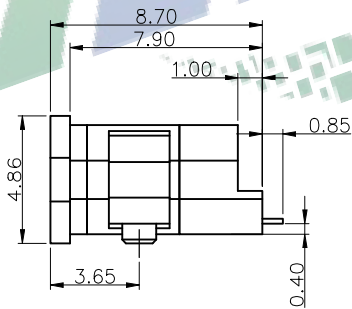
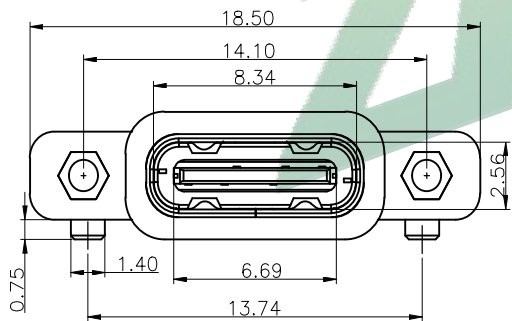
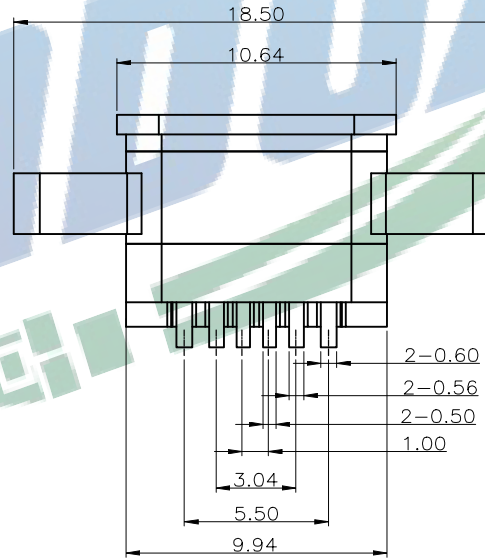
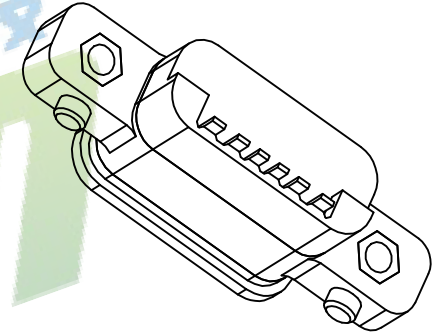
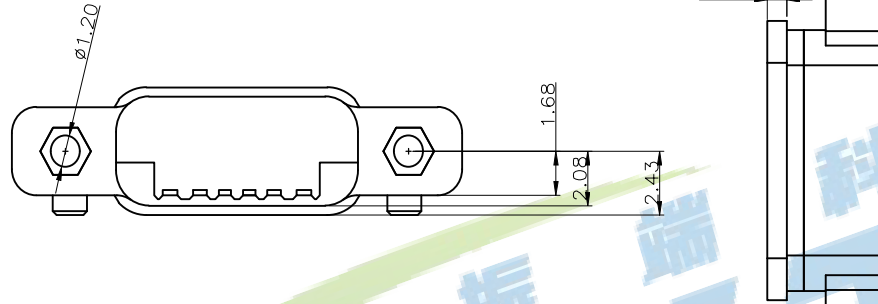


RECOMMENDED P.C.B. LAYOUT
TOLERANCE UNSPECIFIED ±0.05mm



NOTES:

SPECIFICATION:

1. CURRENT RATING: 3.0A MAX
2. VOLTAGE: 100 VAC
3. TEMPERATURE RANGE: -30 °C ~ 85 °C
4. CONTACT RESISTANCE: 40 MILLIONHM MAX
5. INSULATION RESISTANCE: 100 MEGOHMS MIN.
6. INSERTION FORCE : 5N~20N
7. UNMATING FORCE: 8N~20N
8. DURABILITY: 10,000 CYCLES

A5	CC1	B12	GND
A9	VBUS	B9	VBUS
A12	GND	B5	CC2
PIN	SIGNAL NAME	PIN	SIGNAL NAME

NO.	DESCRIPTION	MATERIAL	REMARKS	QTY
5	防水圈	硅胶	BLACK	1PCS
4	SHELL	STAINLESS STEEL	NI Plated	1PCS
3	SHIELDING PLATE	STAINLESS STEEL	NI Plated	1PCS
2	CONTACT	COPPER ALLOY	TIN/Au/NI Plated	1SET
1	HOUSING	HIGH TEMPERATURE PLASTIC	BLACK	1PCS



振端精密科技（深圳）有限公司
Zhenduan precision technology (Shenzhen) Co., Ltd

TOLERANCE: X:XX X:XXX X:XX X:XX X:XX	DRAWN BY : 刘志强	DATE : 2015.08.18	PART NAME: TYPE-C 6P母座单排带螺丝孔L8.70
UNIT: mm [inch] SCALE:1:1 SIZE: A4	CHECKED BY: 李文毅	DATE : 2015.08.18	PART NO. SEE TABLE
	APPROVED BY: 张少辉	DATE : 2015.08.18	MOLD NO. DRAW NO: ZDJNKJ00000301 SHEET NO. 1 OF 1