

总高度有	DIM H
	10.50
	10.0
	9.30
	8.80

NOTES:

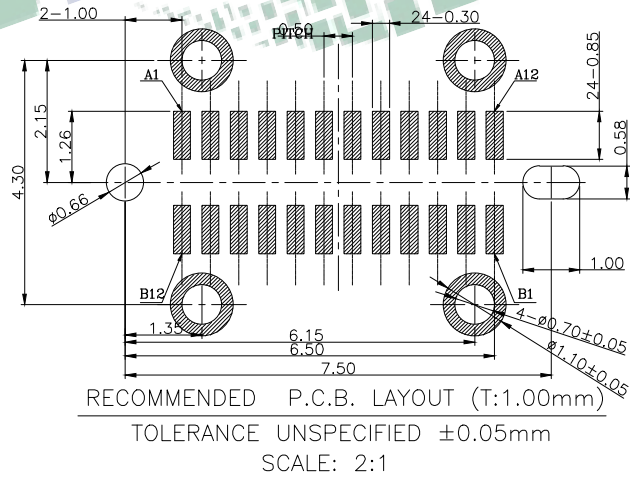
MOLDING: LCP UL94 V-0  
 CONTACT: COPPER ALLOY.  
 GOLD PLATING ALL OVER 50u" Min NICKEL  
 AND 100u" Min Tin ALL OVER 50u" Min NICKEL  
 ON SOLDER AREA  
 SHELL: SUS304-H,T=0.30±0.03mm  
 50u" NICKEL PLATING OVER ALL.  
 SHILD: SUS301-H,T=0.15±0.03mm

INSERTION: 5~20N.  
 EXTRACTION: 8~20N AFTER TEST .  
 DURABILITY: 10000 CYCLES  
 3.ELECTRICAL:  
 CURRENT: 5A FOR VBUS;  
 1.25A FOR GND PIN.  
 0.25A FOR OTHER.

VOLTAGE: 20 V MAX  
 WITHSTANDING VOLTAGE: 100V AC R.M.S  
 CONTACT RESISTANCE: 40mΩ MAX.  
 INSULATION RESISTANCE: 100MΩ MIN.  
 4.ENVIRONMENTAL  
 TEMPERATURE RANGE -55°C ~ +85°C

USB TYPE-C FULL-FEATURED RECEPTACLE INTERFACE PIN ASSIGNMENTS

PIN	Signal Name	Description	PIN	Signal Name	Description
A1	GND	Ground return	B12	GND	Ground return
A2	SSTxp1	Positive half of first SuperSpeed TX differential pair	B11	SSRxp1	Negative half of first SuperSpeed RX differential pair
A3	SSTxn1	Negative half of first SuperSpeed TX differential pair	B10	SSRxn1	Positive half of first SuperSpeed RX differential pair
A4	Vbus	Bus Power	B9	Vbus	Bus Power
A5	CC1	Configuration Channel	B8	SBU2	Sideband Use (SBU)
A6	Dp1	Positive half of the USB 2.0 differential pair-Position 1	B7	Dn2	Negative half of the USB 2.0 differential pair-Position 2
A7	Dn1	Negative half of the USB 2.0 differential pair-Position 1	B6	Dp2	Positive half of the USB 2.0 differential pair-Position 2
A8	SBU1	Sideband Use (SBU)	B5	CC2	Configuration Channel
A9	Vbus	Bus Power	B4	Vbus	Bus Power
A10	SSRx2	Negative half of second SuperSpeed RX differential pair	B3	SSTx2	Positive half of second SuperSpeed TX differential pair
A11	SSRx2	Positive half of second SuperSpeed RX differential pair	B2	SSTx2	Negative half of second SuperSpeed TX differential pair
A12	GND	Ground return	B1	GND	Ground return



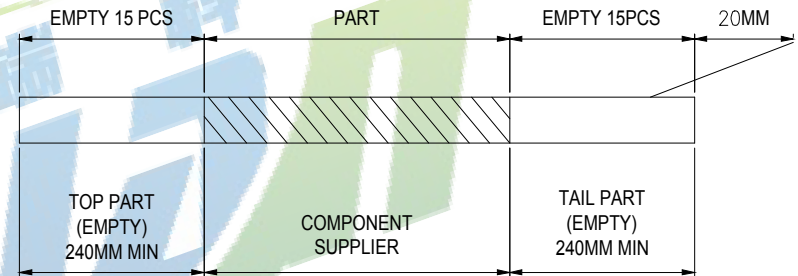
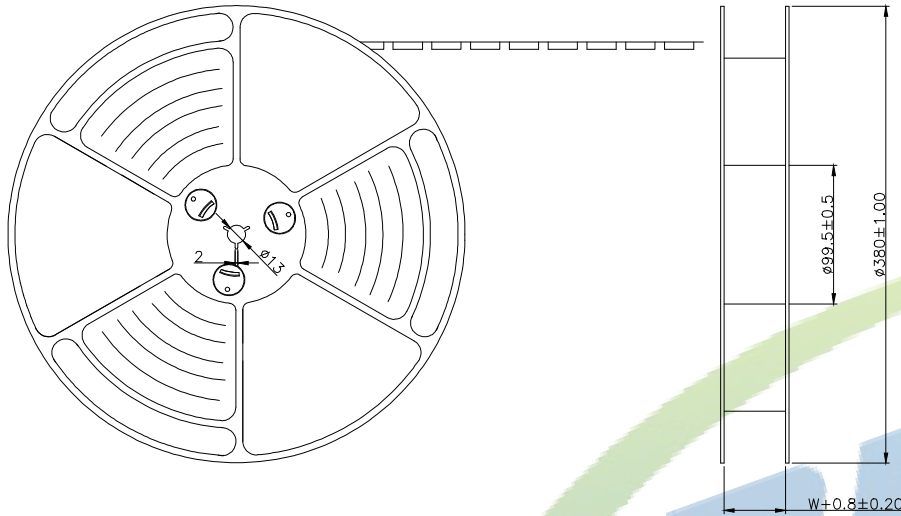
**振端精密科技 (深圳) 有限公司**  
 Zhenduan precision technology (Shenzhen) Co., Ltd

TOLERANCE: X.XX ±0.30 X.XXX ±0.20 X.XXX ±0.10 X.X ±0.10 X.X ±0.05	DRAWN BY : 刘志强	DATE : 2015.08.18	PART NAME: TYPE-C24P立贴H8.8-9.0-9.3-10
UNIT: mm [inch]	CHECKED BY: 李文毅	DATE : 2015.08.18	PART NO. SEE TABLE
SCALE:1:1 SIZE: A4	APPROVED BY: 张少辉	DATE : 2015.08.18	DRAW NO: ZDJNKJ00002402
			SHEET NO. 1 OF 1

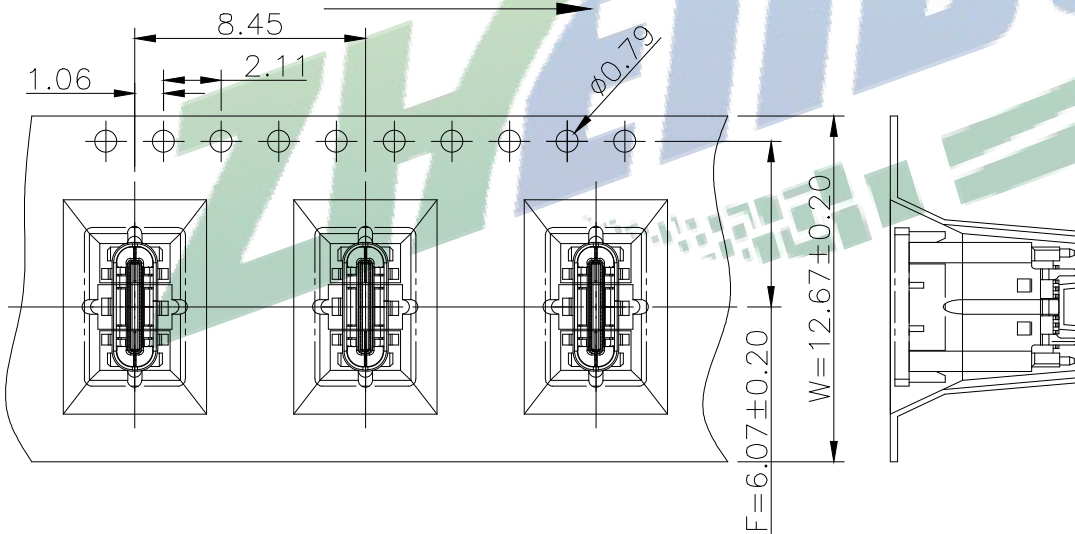
出料方向  
PULL OUT DIRECTEON

NOTES

- 1. 帶子引導長度  
LEAD TAPE LENGTH  
出料方向  
PULL OUT DIRECTEON



- 2. 出貨運輸過程中一定注意：  
THIS REQUIREMENT SHOULD BE APPLIED AT SHIPMENT：  
卷帶在運輸過程中不能散開  
PEELING OFF SHOULD NOT BE ALLOWED DURING TRANSPORTATION



RoHS Compliant

<b>振端精密科技 (深圳) 有限公司</b> Zhenduan precision technology (Shenzhen) Co., Ltd			
TOLERANCE: X.X ±0.30 X.XX ±0.20 X.XXX ±0.10 X.XX ±0.10 X.X ±0.05 X.X ±0.05	DRAWN BY:	DATE:	PART NAME:
	刘志强	2015.08.18	TYPE-C24P立贴H8. 8-9. 0-9. 3-10
 UNIT: mm [inch] SCALE: 1:1 SIZE: A4	CHECKED BY:	DATE:	PART NO. SEE TABLE
	李文毅	2015.08.18	MOLD NO.
	APPROVED BY:	DATE:	DRAW NO. ZDJNKJ00002402
	张少辉	2015.08.18	SHEET NO. 1 OF 1