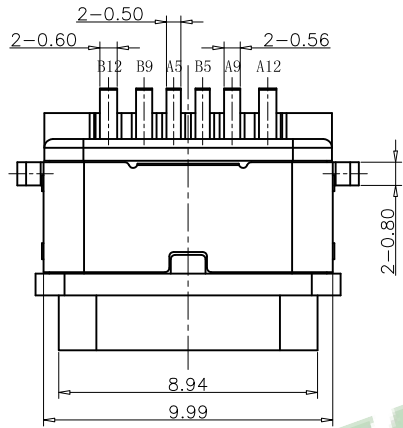
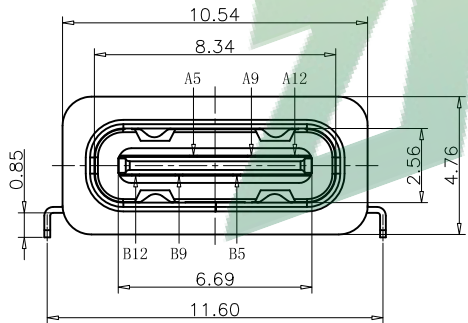
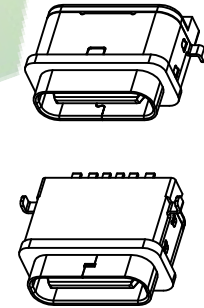
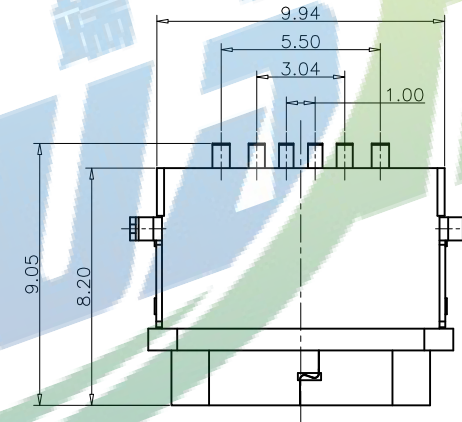
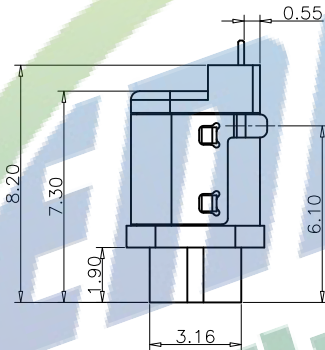


加防水圈示意图



RECOMMEND P.C.B LAYOUT (COMPONENT SIDE)  
TOLERANCE FOR PCB LAYOUT IS  $\pm 0.05$



- NOTES:  
SPECIFICATION:  
1. CURRENT RATING: 3.0A MAX  
2. VOLTAGE: 100 VAC  
3. TEMPERATURE RANGE:  $-30^{\circ}\text{C} \sim +85^{\circ}\text{C}$   
4. CONTACT RESISTANCE: 40 MILLIONHM MAX  
5. INSULATION RESISTANCE: 100 MEGOHMS MIN  
6. INSERTION FORCE: 5N~20N  
7. UNMATING FORCE: 8N~20N  
8. DURABILITY: 10000 CYCLES  
9. WATER PROOFNESS: THIS PRODUCT IS BASED ON IPX7.

TABLE:

NO	PART	Q'TY	Material
1	SHELL	1	STAINLESS STEEL, NI PLATED
2	CONTACT	6	COPPER STEEL, TIN/Au/NI PLATED
3	MID PLATE	1	STAINLESS STEEL, NO PLATING
4	1MD HOUSING	1	HIGH TEMPERATURE RESISTANT PLASTIC BLACK UL94 V-0
5	2MD HOUSING	1	HIGH TEMPERATURE RESISTANT PLASTIC BLACK UL94 V-0
6	SHIELDING PLATE	1	STAINLESS STEEL, NI PLATED

PIN ASSIGNMENT:

PIN NO	A1&B12	A4&B9	A5	B5	A9&B4	A12&B1
SIGNAL NAME	GND	VBUS	CC1	CC2	VBUS	GND
PCB PAD NO.	C1	C2	C3	C4	C5	C6



振端精密科技 (深圳) 有限公司  
Zhenduan precision technology (Shenzhen) Co., Ltd

TOLERANCE: X.X ±0.30 X.XX ±0.20 X.XXX ±0.10 X.XX ±0.10 X.X ±0.05 X.X ±0.05	DRAWN BY : 刘志强	DATE : 2015.08.18	PART NAME: TYPE-C 6P防水两脚沉板L8.2	
	CHECKED BY : 李毅	DATE : 2015.08.18	PART NO.	SEE TABLE
	APPROVED BY : 张少辉	DATE : 2015.08.18	DRAW NO: ZDHS0600FS062	SHEET NO: 1 OF 1