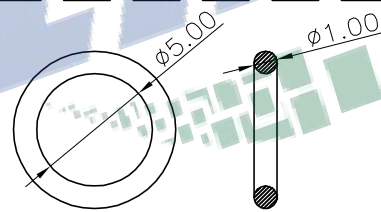
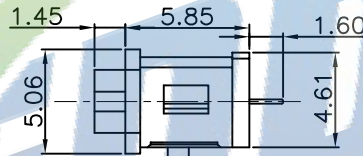
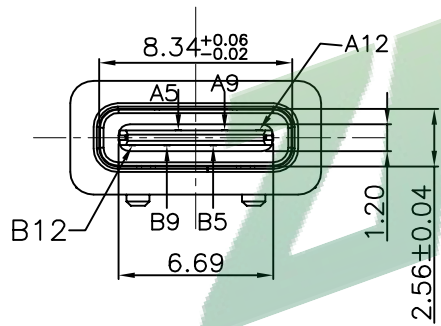


RECOMMENDED PCB LAYOUT(TOP VIEW)

THICKNESS T=1.0mm
DEFAULT TOLERANCE+/-0.05

NOTES:
SPECIFICATION:

1. CURRENT RATING: 3.0A MAX
2. DIELECTRIC WITHSTAND VOLTAGE: 100VAC
3. TEMPERATURE RANGE: -30 °C ~ 85 °C
4. CONTACT RESISTANCE: 40 MILLIONHM MAX
5. INSULATION RESISTANCE: 100 MEGOHMS MIN.
6. INSERTION FORCE : 5N~20N
7. UNMATING FORCE: 8N~20N
8. DURABILITY:5000 CYCLES



注: 防水圈是圆形截面, 直径为1.0mm的硅胶圈, 防水圈挤压量, 由1.0mm挤压到0.4mm ~ 0.5mm, 防水效果好

A5	CC1	B12	GND
A9	VBUS	B9	VBUS
A12	GND	B5	GND
PIN	SIGNAL NAME	PIN	SIGNAL NAME

4	Shell1	1	SUS301 Ni Plating T=0.25mm	Ni:40~120u";
3	Housing2	1	LCP(G.F30%)	
2	Contact	5	Phosphor bronze C5210R-EH Au/Ni Plating T=0.20mm	Ni:40~160u"; Au:CONTACT AREA:3u' OTHER AREA:G/F
1	Housing	1	PA9T (G.F30%)	
ITEM	PART NAME	Q' TY	FINISH	NOTE

振端精密科技 (深圳) 有限公司
Zhenduan precision technology (Shenzhen) Co., Ltd

TOLERANCE: X.XX ±0.30 X.XXX ±0.20 X.XXX ±0.10 X.X ±10° X.X ±5°	DRAWN BY : 刘志强	DATE : 2015.08.18	PART NAME: TYPE-C6P防水母座180度插板L7.30
UNIT: mm [inch] SCALE:1:1 SIZE: A4	CHECKED BY:	DATE : 2015.08.18	PART NO. SEE TABLE MOLD NO.
	APPROVED BY: 张少辉	DATE : 2015.08.18	DRAW NO: ZDHS0600FS052 SHEET NO. 1 OF 1