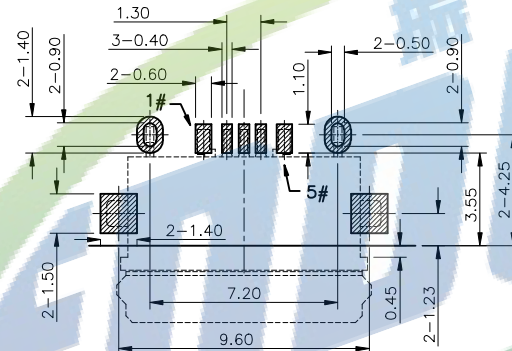
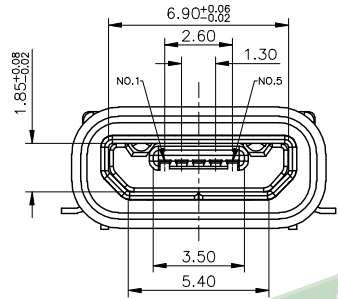
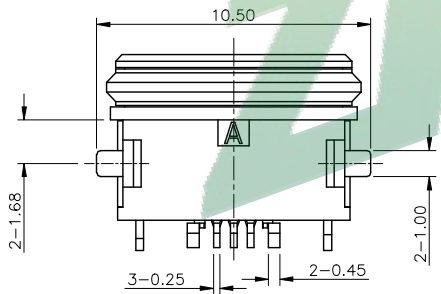


3D VIEW

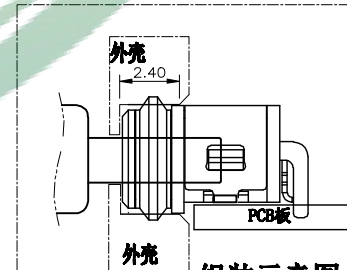


RECOMMENDED P.C.B. LAYOUT (TOP VIEW)
GENERAL TOLERANCE: ±0.05

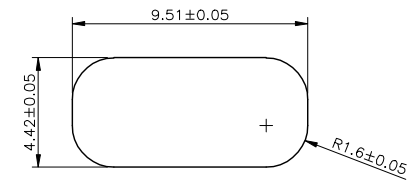


SPECIFICATIONS:

- ELECTRICAL CHARACTERISTICS:
 - RATING: 3A;
 - CONTACT RESISTANCE: 30 mΩ MAX.(INITIAL);
 - DIELECTRIC WITHSTANDING: 100V AC MIN.;
 - INSULATION RESISTANCE: 100MΩ MIN.;
- DURABILITY: 5,000 CYCLES MIN.;
- INSERTION FORCE: 5-20N;
- EXTRACTION FORCE: 6-20N;
- WATER PROOFNESS: THIS PRODUCT IS BASED ON IPX8.
- PLUG INTERFACE DIMENSIONS COMFORM TO USB2.0 SPEC.
- PACKAGING: TAPE & REEL.



组装示意图



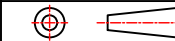
组装时，加润滑油后
更容易组装

Contact Number	Signal Name	Remarks
1#	VBUS	Power
2#	D-	Date-
3#	D+	Date+
4#	ID	Reserve or Gound
5#	GND	Gound

NO.	DESCRIPTION	QTY	MATERIAL	REMARK
⑦	Oval ring	1	Rubber	Black
⑥	Glue	1	-----	Black
⑤	U-shaped frame	1	Copper alloy or stainless	Nickel plated
④	Inner shell	1	Copper alloy or stainless	Nickel plated
③	Terminal	5	Copper alloy, 0.15t	Gold Plated On Contact Area.
②	Outer shell	1	High temperature thermoplastic	Black
①	Body	1	High temperature thermoplastic	Black

振端精密科技 (深圳) 有限公司
Zhenduan precision technology (Shenzhen) Co., Ltd

TOLERANCE:
X.X ±0.30
X.XX ±0.20
X.XXX ±0.10
X.XX ±0.10
X.X ±0.10
X ±0.05



UNIT: mm [inch]

SCALE: 1:1 SIZE: A4

DRAWN BY: 陈少龙
DATE: 2015.08.18

CHECKED BY: 陈少龙
DATE: 2015.08.18

APPROVED BY: 陈少龙
DATE: 2015.08.18

PART NAME: MC5P防水母座前贴后插
PART NO.: SEE TABLE
MOLD NO.:
DRAW NO.: ZDJNKJ000MC206
SHEET NO.: 1 OF 1