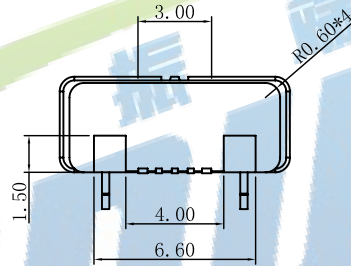
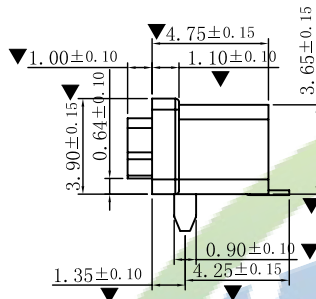
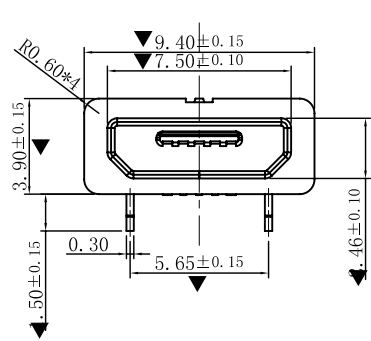
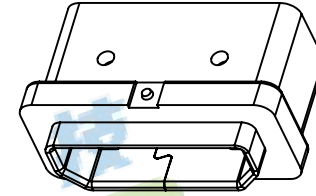


注：设计时，请注意公头插入时的距离，防止公头插不彻底。

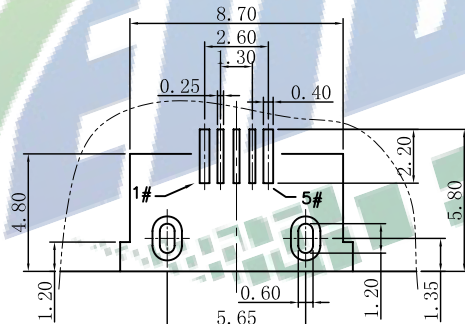
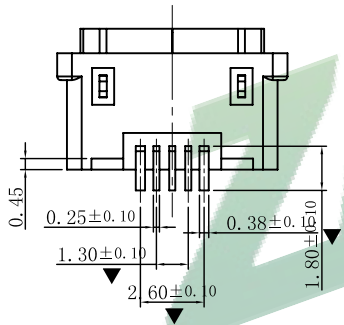


Notes:

1. Dimension shall be interpreted per ASME Y14.5M1994.
2. Dimension marked  $\nabla$  &  $\blacktriangledown$  should be checked by Q.C. and process, engineers and  $\nabla$  should also check the CPK data.

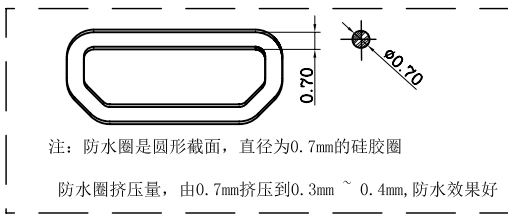
Specification:

1. Current Rating: 2.0 AMP
2. Voltage Rating: 30V AC,DC
3. Dielectric Strength: 500V AC RMS for 1 minute.
4. Contact Resistance: 30 mΩ Max.
5. Insulator Resistance: 500MΩ Min. AT 250V DC.
6. Mating/Unmating cycles: 2000cycles
7. Temperature: -20°C to +60°C



P. C. B LAYOUT

ITEM	PART NAME	Q' TY	FINISH	NOTE
3	Shell	1	SUS304R-1/2H Ni PlatingT=0.30mm	
2	Contact	5	Phosphor bronze C5191R-EH Au/Ni Plating T=0.20mm	
1	Housing	1	PA9T&LCP (G.F30%)	



Contact Number	Signal Name	Remarks
1#	VBUS	Power
2#	D-	Date-
3#	D+	Date+
4#	ID	Reserve or Gound
5#	GND	Gound

**zhenduan 振端精密科技 (深圳) 有限公司**  
Zhenduan precision technology (Shenzhen) Co., Ltd

TOLERANCE: XXX ±0.30 XX ±0.20 X.XXX ±0.10 X.X ±0.10 X.X ±0.05	DRAWN BY : 陈少龙	DATE : 2015.08.18	PART NAME: MC5P防水母座小脚前插后贴
UNIT: mm [inch]	CHECKED BY: 陈少龙	DATE : 2015.08.18	PART NO. SEE TABLE
SCALE:1:1 SIZE: A4	APPROVED BY: 陈少龙	DATE : 2015.08.18	DRAW NO: ZDJNKJ000MC208
			SHEET NO. 1 OF 1