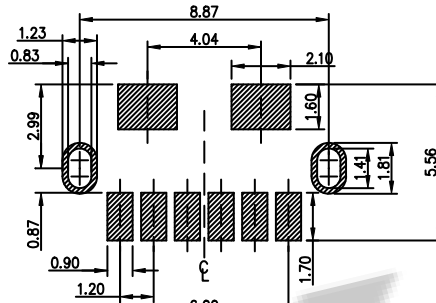
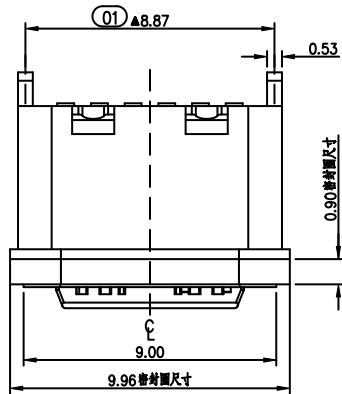
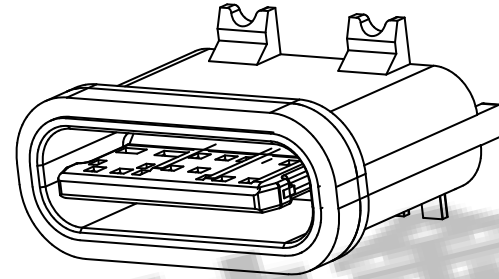


PCB LAYOUT 图仅供参考



RECOMMENDED PCB LAYOUT(TOP VIEW)
THICKNESS 0.8±0.10MM;DEFAULT TOLERANCE: ±0.05



Note:

1.Material:

- 1.1 Housing: PA9T
- 1.2 Contact:C5191,t=0.20mm
- 1.3 Shell: Kirsite

2.ELECTRICAL:

2-1:CURRENT RATING:

VBUS AND GND CONTACTS RATED AT 1.25A
PARALLELED FOR A TOTAL OF 5A;

2-2:INITIAL CONTACT RESISTANCE :40 MEGOHMS

2-3:DIELECTRIC WITHSTANDING VOLTAGE:
100V AC MIN;

3:MECHANICAL CHARACTERISTICS:

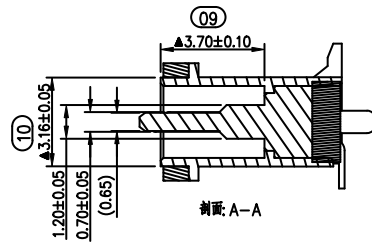
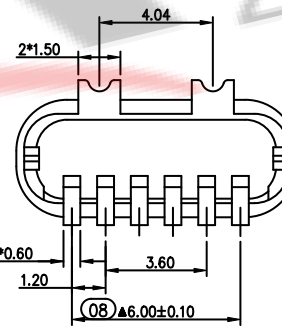
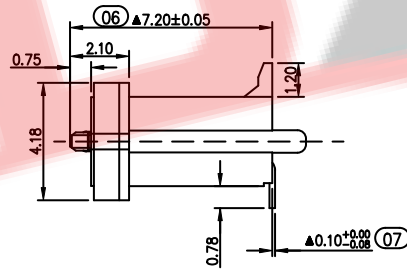
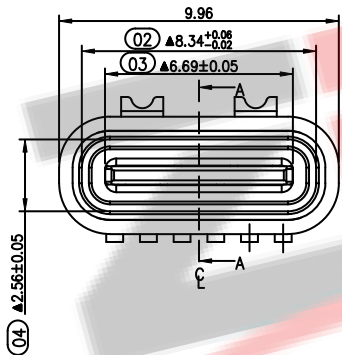
3-1:MATING FORCE:5~20N

3-2:UNMATING FORCE:8~20N(INITIAL),
6~20N(AFTER 10000 CYCLES)

3-3:FREQUENCY: 200±50 CYCLES /HOUR,10000 CYCLES

3-4:OPERATING TEMPERATURE ;-40°~80°.

4: WATERPROOF: IP-X8.



(05) c 0.08
▲端子焊脚平面度

A5	CC1	B12	GND
A9	VBUS	B9	VBUS
A12	GND	B5	GND
PIN	SIGNAL NAME	PIN	SIGNAL NAME

ZDX 深圳市兆达鑫科技有限公司
Shenzhen Zhao Xin Technology Co., Ltd.

TOLERANCE: X.XX ±0.30 X.XXX ±0.20 X.XXX ±0.10 X.X ±0.10 X.X ±0.05	DRAWN BY : 刘志强	DATE : 2015.08.18	PART NAME: TTTYPE-C 6P防水180度立贴L7.2
UNIT: mm [inch] SCALE:1:1 SIZE: A4	CHECKED BY: 李毅	DATE : 2015.08.18	PART NO. SEE TABLE MOLD NO.
	APPROVED BY: 张少辉	DATE : 2015.08.18	DRAW NO: ZDHS0600FS034 SHEET NO. 1 OF 1