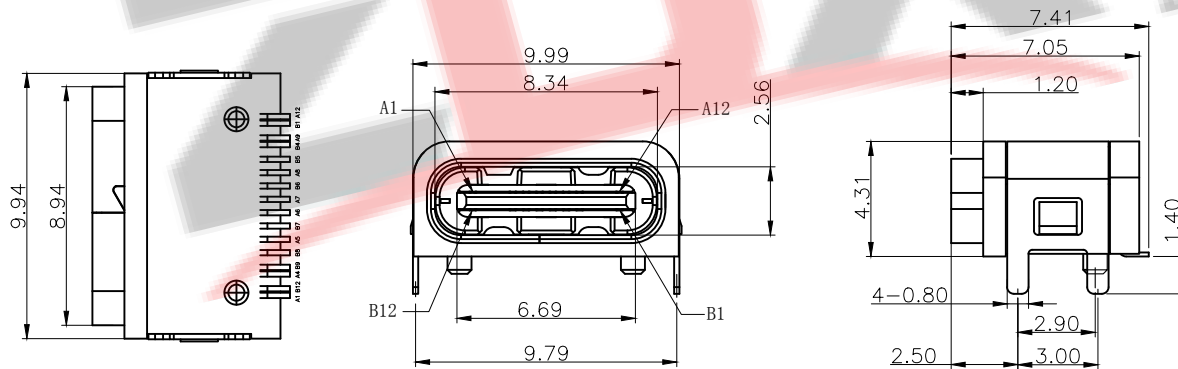


带防水圈示意图



NOTES:

SPECIFICATION:

1. CURRENT RATING: 3.0A MAX
2. VOLTAGE: 100 VAC
3. TEMPERATURE RANGE: -30 °C ~ 85 °C
4. CONTACT RESISTANCE: 40 MILLIONHM MAX
5. INSULATION RESISTANCE: 100 MEGOHMS MIN.
6. INSERTION FORCE : 5N~20N
7. UNMATING FORCE: 8N~20N
8. DURABILITY: 10,000 CYCLES
9. WATER PROOFNESS: THIS PRODUCT IS BASED ON IPX7.

A1	GND	B12	GND
A4	VBUS	B9	VBUS
A5	CC1	B8	SBU2
A6	DP1	B7	DN2
A7	DN1	B6	DP2
A8	SBU1	B5	CC2
A9	VBUS	B4	VBUS
A12	GND	B1	GND
PIN	SIGNAL NAME	PIN	SIGNAL NAME

6	防水圈	硅胶	BLACK	1PCS
5	SHELL	STAINLESS STEEL	NI Plated	1PCS
4	SHIELDING PLATE	STAINLESS STEEL	NI Plated	1PCS
3	CONTACT	COPPER ALLOY	TIN/Au/NI Plated	1SET
2	SHELL HOUSING	HIGH TEMPERATURE PLASTIC	BLACK	1PCS
1	HOUSING	HIGH TEMPERATURE PLASTIC	BLACK	1PCS
NO.	DESCRIPTION	MATERIAL	REMARKS	QTY

ZDX 深圳市兆达鑫科技有限公司
Shenzhen Zhao Xin Technology Co., Ltd.

<p>TOLERANCE: X:XX ±0.30 X:XX ±0.20 X:XX ±0.10 X:XX ±0.05 X:XX ±0.02 X:XX ±0.01</p> <p>UNIT: mm [inch] SCALE: 1:1 SIZE: A4</p>	DRAWN BY :	DATE :	PART NAME:	
	刘志强	2015.08.18	TYPE-C16P防水母座四脚插板L7.35	
	CHECKED BY:	DATE :	PART NO.	SEE TABLE
李毅	2015.08.18	MOLD NO.		
APPROVED BY:	DATE :	DRAW NO.:	ZDHS1600FS086	
张少辉	2015.08.18	SHEET NO.	1 OF 1	