

RECOMMENDED P.C.B. LAYOUT
TOLERANCE UNSPECIFIED ±0.05mm

NOTES:

特性: Specifications

电器 Electrical:

- 接触阻抗: 初始最大不超过40mΩMax, 测试后变化值不超过10mΩMax
- 耐电压: AC200V 60S/MIN, 0.5mA Max; DC500V, 60S/MIN, 100ΩMax
- 绝缘阻抗: 100M ohms MIN
- 额定电流: 2A MAX
- 额定电压: 10V MAX

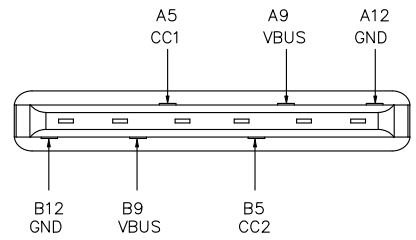
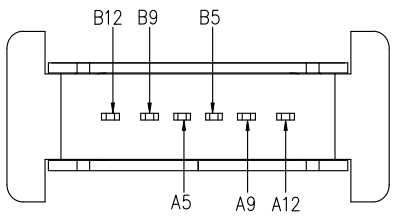
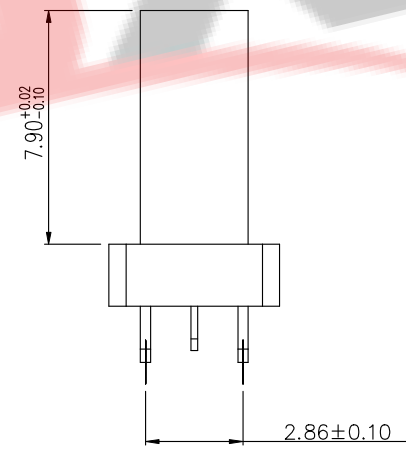
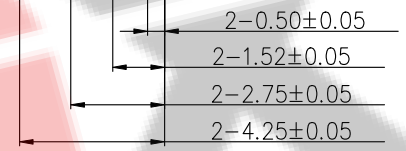
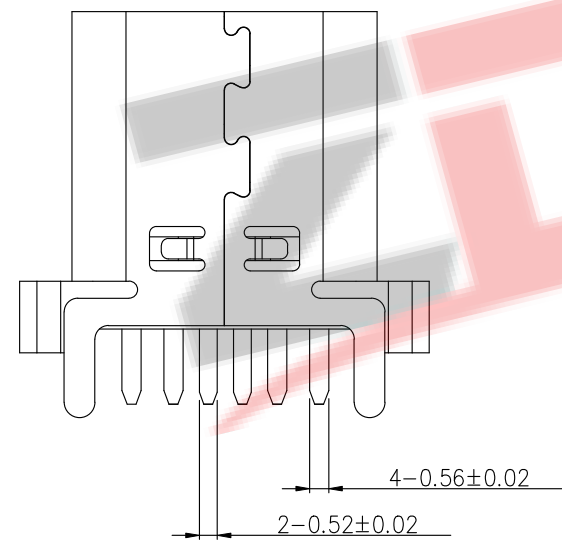
材料: Material:

- Molding: LCP料黑色耐高温塑胶
- 端子: C2680 T=0.20mm
- 外壳: SUS201 T=0.30mm

电镀规格:

- 端子: 半金锡, 接触点镀金1u", 焊线处镀雾锡40-80u"
- 外壳: 镀镍80u"

环保要求: ROHS, REACH 标准



| | | | |
|---|--------------------------|------------------------------------|--|
| 深圳市兆达鑫科技有限公司 Shenzhen Zhao Xin Technology Co., Ltd. | | | |
| TOLERANCE: X X ±0.30 X XX ±0.20 X XXX ±0.10 X . ±0.10 X : ±0.05 X ° ±10° X ° ±5° | DRAWN BY : 刘志强 | DATE : 2015.08.18 | PART NAME: TYPE-C6PIN立式插板H9.3-15.0 |
| CHECKED BY: 李文毅 | DATE : 2015.08.18 | PART NO. SEE TABLE | MOLD NO. |
| APPROVED BY: 张少辉 | DATE : 2015.08.18 | DRAW NO.: ZDJNKJ00000017 | SHEET NO.: 1 OF 1 |

UNIT: mm [inch]
SCALE: 1:1 SIZE: A4