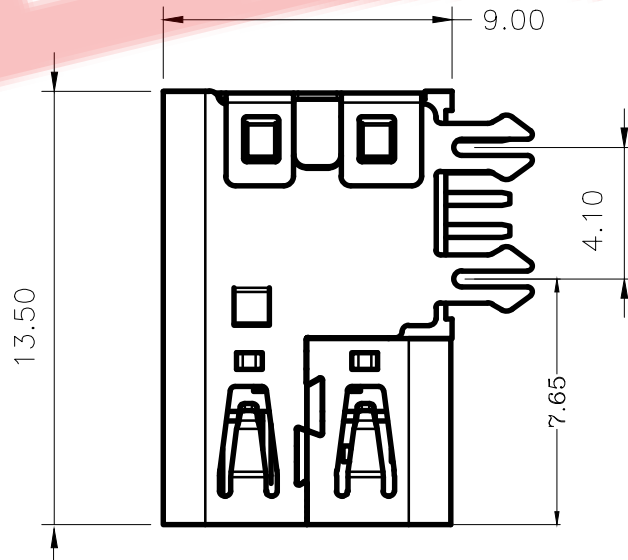
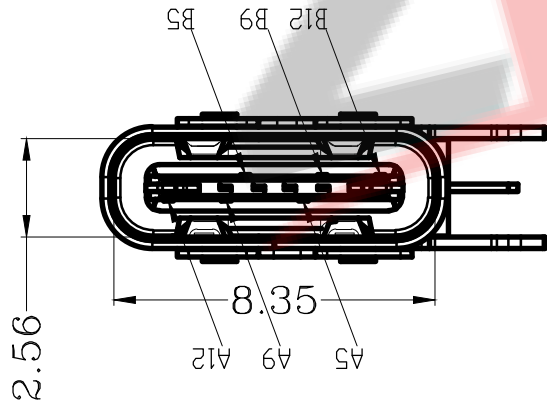


RECOMMENDED P.C.B. LAYOUT
TOLERANCE UNSPECIFIED $\pm 0.05\text{mm}$



NOTE:

- 1.MATERIAL SPECIFICATION:
 - 1.HOUSING:HIGH TEMPERATURE RESISTANT PLASTIC,UL94 V-0.
 - 2.CONTACTS:COPPER ALLOY
 - 3.MID PLATE: STAINLESS STEEL
 - 4.FRONT SHELL: STAINLESS STEEL
- 2.PLATING SPECIFICATION:
 - 2-1.CONTACTS:
 - Ni 50u" MIN. UNDER PLATED OVER ALL.
 - Au PLATED ON THE FUNCTIONAL AREA OF CONTACT.
 - (GOLD PLATING THICKNESS FOLLOW THE P/N)
 - PLATING SPECIFICATIONS OF THE SOLDER AREA FOLLOW THE P/N
 - 2-2.FRONT SHELL:
 - SEE TABLE1.
 - 2-3.SHIELD PLATE&EMI PLATE:
 - CLEAR ONLY
- 3.MECHANICAL PERFORMANCE,
 - 3-1.INSERTION FORCE: 0.5~2.0kgf.
 - 3-2.REMOVAL FORCE: 0.8kgf~2.0kgf.
 - 3-3.DURABILITY: 5000 CYCLES.
- 4.ELECTRICAL PERFORMANCE,
 - 4-1. CURRENT RATING: 3.0A
VOLTAGE RATING: 5.0V
 - 4-2. LLCR:
 - VBUS & GND PINS AND OTHER PINS: 40m Ω /PIN MAX.
 - SHIELD: 50m Ω /MAX.
 - LLCR MAX. CHANGE OF ALL PINS: 10m Ω .
 - 4-3.INSULATION RESISTANCE: 100M Ω MIN
 - 4-4.DIELECTRIC WITHSTAND VOLTAGE,AC 100V FOR 1 MINUTE.
5. ENVIRONMENTAL PERFORMANCE:
 - OPERATING TEMPERATURE: -25 $^{\circ}$ C~+85 $^{\circ}$ C.
- 6.IR REFLOW:
 - THE PEAK TEMPERATURE ON THE BOARD SHALL BE MAINTAINED FOR 10 SECONDS AT 260 $^{\circ}$ C.

PIN ASSIGNMENTS

A5	CC1	B12	GND
A9	VBUS	B9	VBUS
A12	GND	B5	CC2
PIN	SIGNAL NAME	PIN	SIGNAL NAME

ZDX 深圳市兆达鑫科技有限公司
Shenzhen Zhao Xin Technology Co., Ltd.

TOLERANCE: XXX ± 0.30 X:XXX ± 0.20 X:XXX ± 0.10 X:XXX ± 0.05 X:XXX ± 0.02 X:XXX ± 0.01	DRAWN BY : 刘志强	DATE : 2015.08.18	PART NAME: TYPE-C6PIN沉板1.2四脚插板H6.8	
	CHECKED BY: 李文毅	DATE : 2015.08.18	PART NO.	SEE TABLE
 UNIT: mm [inch] SCALE:1:1 SIZE: A4	APPROVED BY: 张少辉	DATE : 2015.08.18	MOLD NO.	ZDJNKJ00000013
			DRAW NO.	1 OF 1