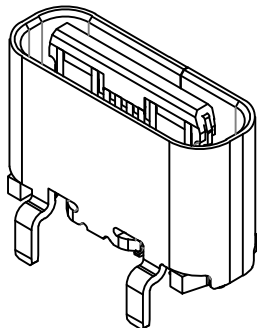


RECOMMENDED P.C.B. LAYOUT
TOLERANCE UNSPECIFIED ±0.05mm

NOTES:

- MECHANICAL: MATING FORCE: 5-20N .
UNMATING FORCE: 8-20N .
DURABILITY: 10000 CYCLES MIN.
- ELECTRICAL:
CURRENT: 5.0A MAX
VOLTAGE: 20V MAX
WITHSTANDING VOLTAGE: 300V AC
CONTACT RESISTANCE: 40 mΩ MAX INITIAL;
50 mΩ MAX AFTER 10000 CYCLES
- ENVIRONMENTAL:
OPERATING TEMPERATURE RANGE -30° C ~ +80° C
- Salt Spray: 24H

A1	GND	B12	GND
A4	VBUS	B9	VBUS
A5	CC1	B8	SBU2
A6	DP1	B7	DN2
A7	DN1	B6	DP2
A8	SBU1	B5	CC2
A9	VBUS	B4	VBUS
A12	GND	B1	GND
PIN	SIGNAL NAME	PIN	SIGNAL NAME



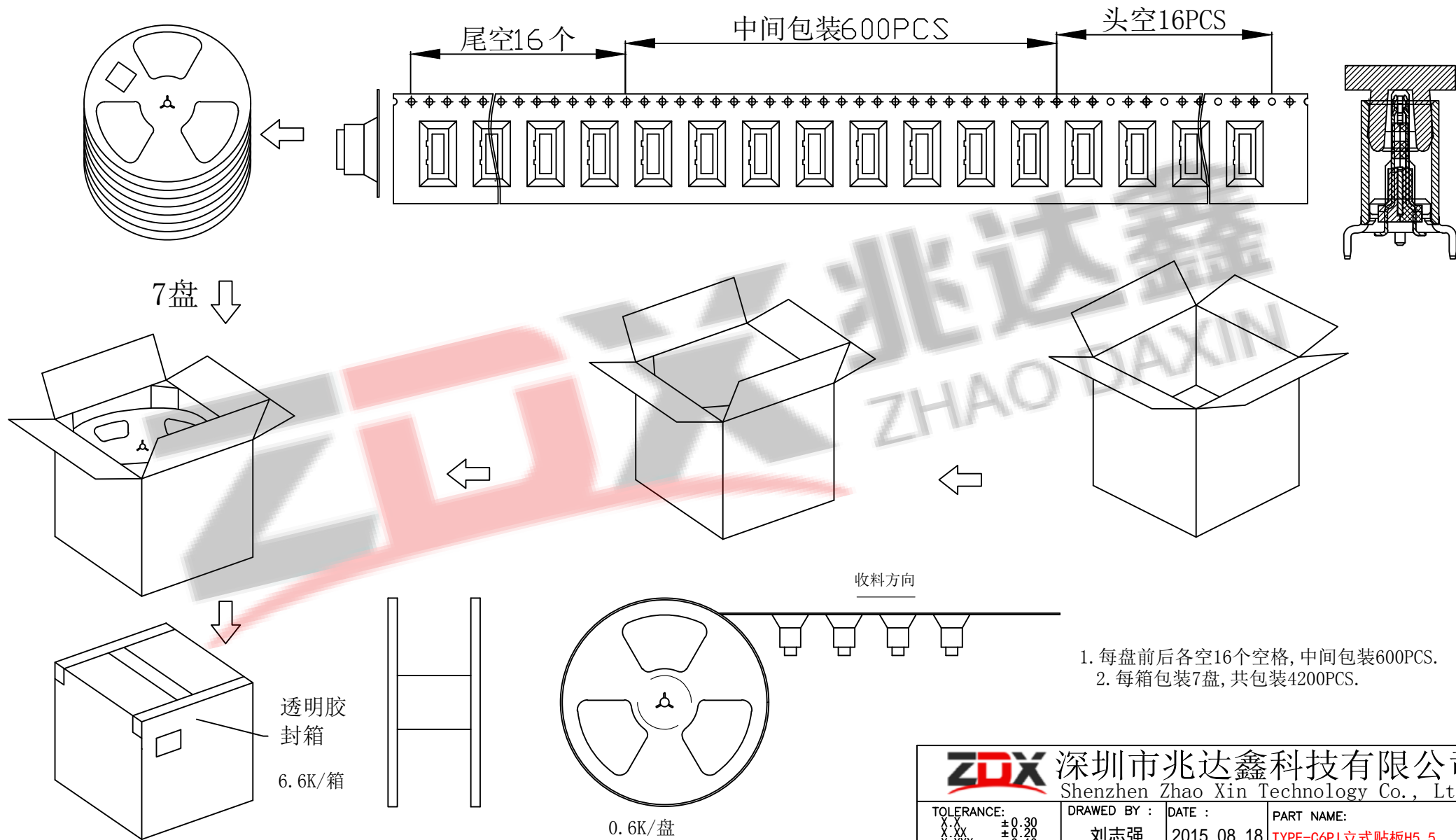
BOM		
序号	名称	材料规格
1	Terminal	C7025 TM02 T=0.15mm 电镀全 Au:GF Ni:50u"
2	Terminal	C7025 TM02 T=0.15mm 电镀金 Au:GF Ni:50u"
3	Molding 1	LCP+30%G.F 黑色 UL94 V-0
4	Molding 2	LCP+30%G.F 黑色 UL94 V-0
5	HOOK	SUS301 3/4H T=0.15
6	Shell	SUS304 1/2H T=0.30mm Ni:50u"

深圳市兆达鑫科技有限公司
Shenzhen Zhao Xin Technology Co., Ltd.

TOLERANCE:
X.XX ±0.30
X.XXX ±0.20
X.XXX ±0.10
X.X ±10°
X.X ±5°

UNIT: mm [inch]
SCALE: 1:1 SIZE: A4

DRAWN BY : 刘志强	DATE : 2015.08.18	PART NAME: TYPE-C6PIN立式贴板H5.5	
CHECKED BY : 李文毅	DATE : 2015.08.18	PART NO.	SEE TABLE
APPROVED BY : 张少辉	DATE : 2015.08.18	DRAW NO.:	ZDJNKJ00001606
		SHEET NO.	1 OF 1



1. 每盘前后各空16个空格, 中间包装600PCS.
2. 每箱包装7盘, 共包装4200PCS.

深圳市兆达鑫科技有限公司 Shenzhen Zhao Xin Technology Co., Ltd.			
TOLERANCE: X.XX ±0.30 X.XXX ±0.20 X.XXX ±0.10 X.X ±0.10 X.X ±0.05 X.X ±0.05	DRAWN BY :	DATE :	PART NAME:
	刘志强	2015.08.18	TYPE-C6P1立式贴板H5.5
 UNIT: mm [inch] SCALE: 1:1 SIZE: A4	CHECKED BY:	DATE :	PART NO. SEE TABLE
	李文毅	2015.08.18	MOLD NO.
	APPROVED BY:	DATE :	DRAW NO. ZDJNKJ00001606
	张少辉	2015.08.18	SHEET NO. 1 OF 1