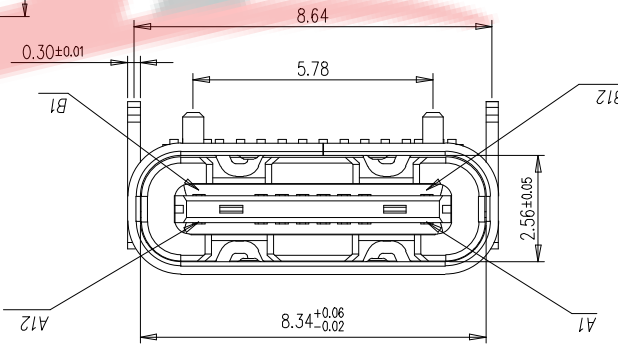
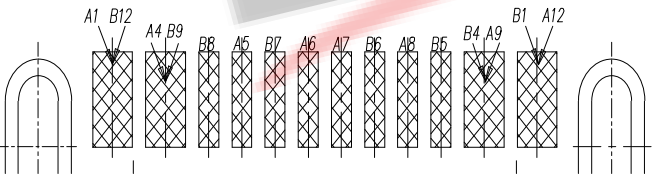
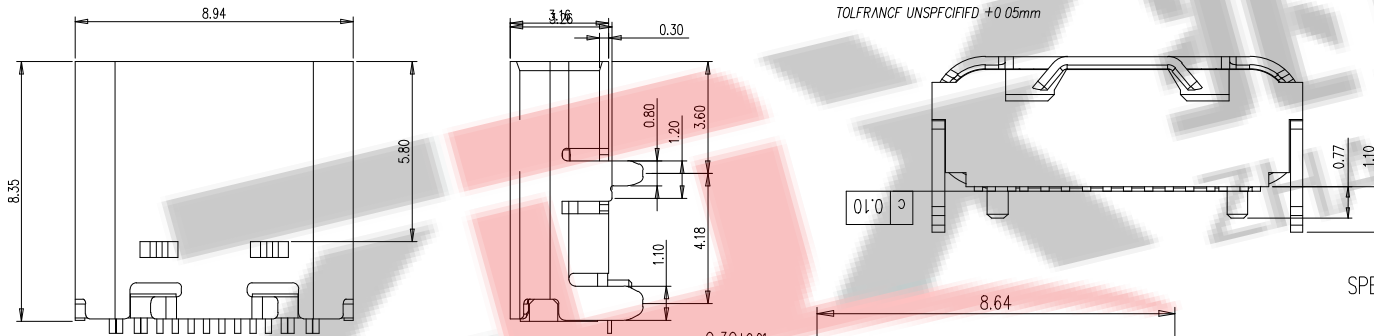


RECOMMENDED P.C.B. LAYOUT (T:1.00mm)

TOLERANCE UNSPECIFIED +0.05mm



A1	GND	B12	GND
A4	VBUS	B9	VBUS
A5	CC1	B8	SBU2
A6	DP1	B7	DN2
A7	DN1	B6	DP2
A8	SBU1	B5	CC2
A9	VBUS	B4	VBUS
A12	GND	B1	GND
PIN	SIGNAL NAME	PIN	SIGNAL NAME

SPECIFICATIONS:

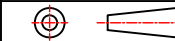
- ELECTRICAL CHARACTERISTICS:
  - CONTACT RESISTANCE: 30m Ω MAX.
  - DIELECTRIC WITHSTANDING VOLTAGE: 100V AC FOR ONE MINUTE.
  - INSULATION RESISTANCE: 100M Ω MIN. MEASURED BY 500 VDC
- MECHANICAL CHARACTERISTICS:
  - INSERTION FORCE : 0.5-2.0Kgf(REF.)
  - WITHDRAWAL FORCE : 0.8-2.0Kgf(REF.)
- LIFE TEST: 10,000 CYCLES.
- TO CONFORM TO THE KRCONN HAZARDOUS SUBSTANCE FREE SPEC.

6	SHELL	STAINLESS STEEL	NI Plated	1PCS
5	SHIELDING PLATE	STAINLESS STEEL	---	1PCS
4	MD	HIGH TEMPERATURE PLASTIC	BLACK	1PCS
3	CONTACT	COPPER ALLOY	Au/Ni Plated	1SET
2	CONTACT	COPPER ALLOY	Au/Ni Plated	1SET
1	HOUSING	HIGH TEMPERATURE PLASTIC	BLACK	1PCS
NO.	DESCRIPTION	MATERIAL	REMARKS	QTY



深圳市兆达鑫科技有限公司  
Shenzhen Zhao Xin Technology Co., Ltd.

TOLERANCE:  
X:XX ±0.30  
X:XX ±0.20  
X:XX ±0.10  
X:XX ±0.05  
X:XX ±0.02



UNIT: mm [inch]  
SCALE: 1:1 SIZE: A4

DRAWN BY : 刘志强  
DATE : 2015.08.18  
CHECKED BY : 李毅  
DATE : 2015.08.18  
APPROVED BY : 张少辉  
DATE : 2015.08.18

PART NAME: TYPE-C16P四脚插板加长H8.35  
PART NO. SEE TABLE  
MOLD NO.  
DRAW NO: ZDJNKJ00001625  
SHEET NO. 1 OF 1