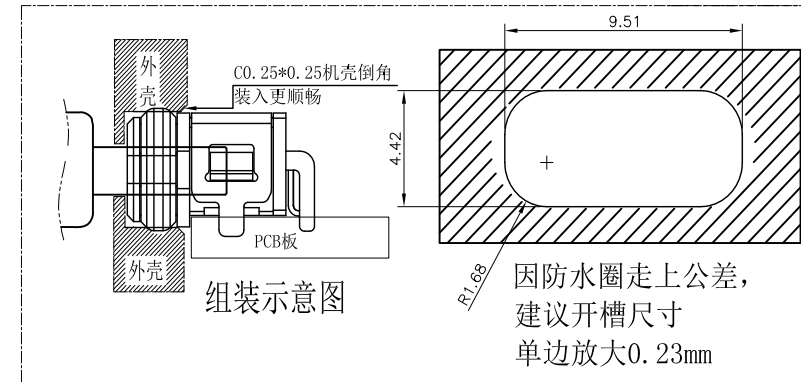
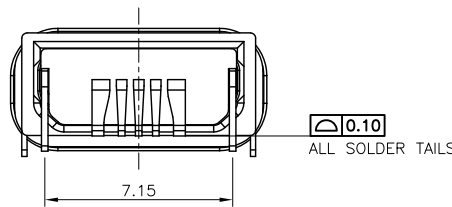
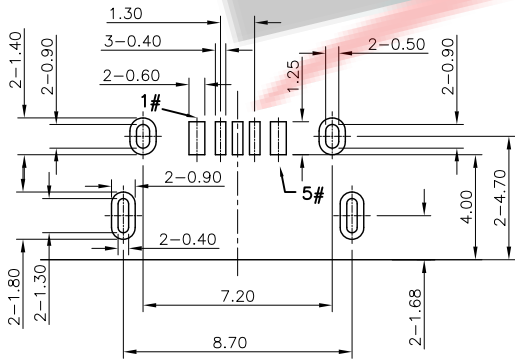
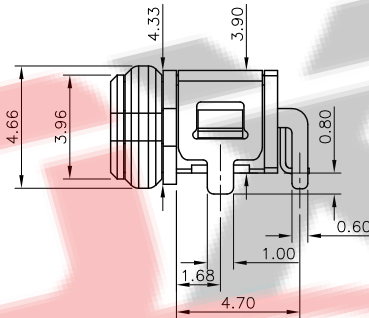
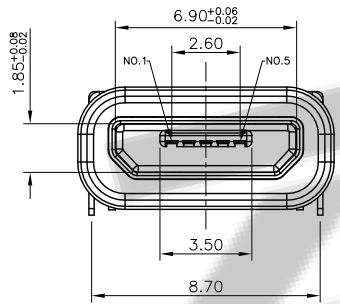


- SPECIFICATIONS:
- ELECTRICAL CHARACTERISTICS:
 - RATING: 3A;
 - CONTACT RESISTANCE: 30 mΩ MAX.(INITIAL);
 - DIELECTRIC WITHSTANDING: 100V AC MIN.;
 - INSULATION RESISTANCE: 100MΩ MIN.;
 - DURABILITY: 5,000 CYCLES MIN.;
 - INSERTION FORCE: 5-20N;
 - EXTRACTION FORCE: 6-20N;
 - WATER PROOFNESS: THIS PRODUCT IS BASED ON IPX8.
 - PLUG INTERFACE DIMENSIONS COMFORM TO USB2.0 SPEC.
 - PACKAGING: TAPE & REEL.



RECOMMENDED P.C.B. LAYOUT (TOP VIEW)
GENERAL TOLERANCE: ±0.05

Contact Number	Signal Name	Remarks
1#	VBUS	Power
2#	D-	Date-
3#	D+	Date+
4#	ID	Reserve or Gound
5#	GND	Gound

ZDX 深圳市兆达鑫科技有限公司
Shenzhen Zhao Xin Technology Co., Ltd.

TOLERANCE: X.XX ±0.30 X.XX ±0.20 X.XXX ±0.10 X.X ±10° X.X ±5°	DRAWN BY : 陈少龙	DATE : 2015.08.18	PART NAME: MC5P防水母座四脚插板	
UNIT: mm [inch]	CHECKED BY: 陈少龙	DATE : 2015.08.18	PART NO.	SEE TABLE
SCALE:1:1 SIZE: A4	APPROVED BY: 陈少龙	DATE : 2015.08.18	MOLD NO.	
			DRAW NO:	ZDJNKJ000MC202
			SHEET NO.	1 OF 1