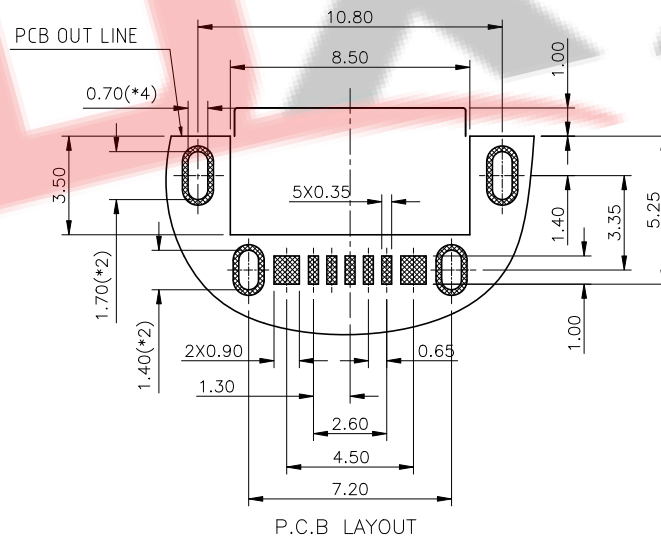
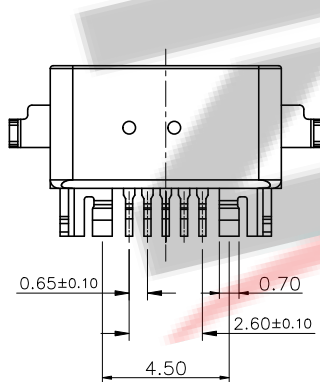
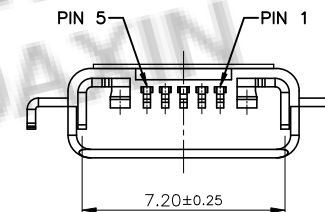


3D VIEW



NOTES:

1. CONTACT CURRENT RATING:1.0A;
2. CONTACT RESISTANCE:30mΩ MAX;
3. INSULATION RESISTANCE:100MΩ MIN;
4. DIELECTRIC WITHSTANDING:100V AC MIN;
5. DURABILITY:5,000CYCLES MIN;
6. WATER PROOFNESS:THIS PRODUCT IS BASED ON IPX6;
7. CONNECTOR MATING FORCES:25N (2.55KgF)MAX;
8. CONNECTOR UNMATING FORCES:8~25N (0.83~2.55KgF);

Pin	Signal Name	Remarks
Pin1	VBUS	Power
Pin2	D-	Date-
Pin3	D+	Date+
Pin4	ID	Reserve or Gound
Pin5	GND	Gound

ITEM	PART NAME	Q'TY	MATERIAL
01	HOUSING	1 PCS	LCP (G.F30%) BLACK COLOR
02	CONTACT A	5 PCS	PHOSPHOR BRONZE C5191R AU/NI PLATING T=0.20
03	SHELL	1 PCS	C2680R-H /SUS301 BLACK NICKEL T=0.30

ZDX 深圳市兆达鑫科技有限公司
Shenzhen Zhao Xin Technology Co., Ltd.

TOLERANCE: X.XX ±0.30 X.XXX ±0.20 X.XXX ±0.10 X.X ±0.10 X.X ±0.05	DRAWN BY :	DATE :	PART NAME:	
	陈少龙	2015.08.18	MC5P防水母沉板短体	
 UNIT: mm [inch] SCALE:1:1 SIZE: A4	CHECKED BY:	DATE :	PART NO.	SEE TABLE
	陈少龙	2015.08.18	MOLD NO.	
	APPROVED BY:	DATE :	DRAW NO:	ZDJNKJ000MC212
	陈少龙	2015.08.18	SHEET NO.	1 OF 1