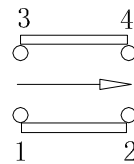
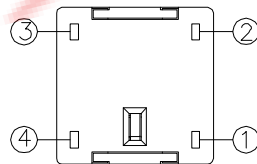
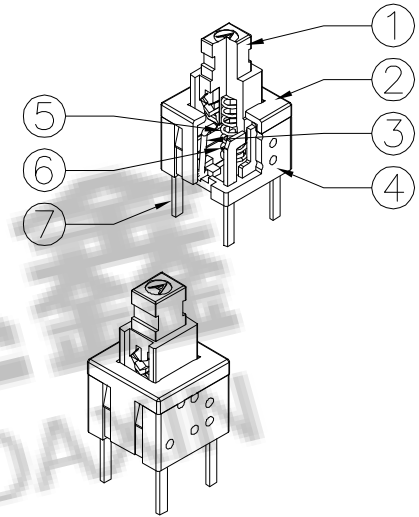
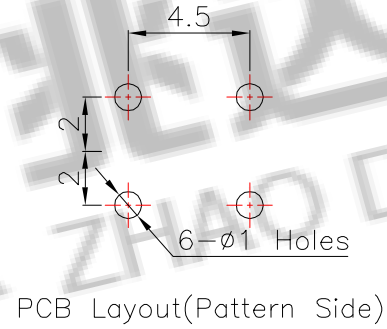
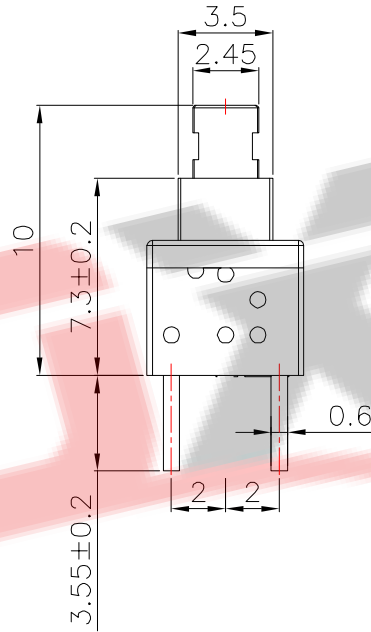
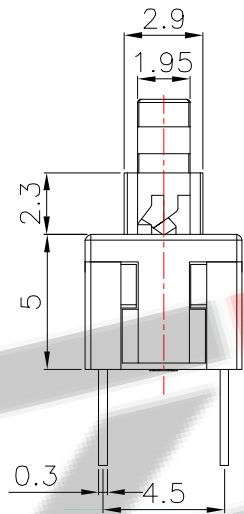


NOTE:
1. Operating Force: 180gf±50gf
2. Travel : 2.0±0.2mm



Circuit Diagram

⑦	Terminal	—	6	Brass strip	Plating silver	—
⑥	Contact	—	2	Phosphor bronze	Plating silver	—
⑤	Spring	—	1	SUS	Natural	—
④	Base	—	1	Nylon	Gray	—
③	Crochet Needle	—	1	SUS	Natural	—
②	Cover	—	1	POM	Black	—
①	KNOB	—	1	POM	White	—
ITEM	PART NAME	TER'NO.	QTY.	MATERIAL	FINISHING	REMARK

APPROVALS			DATE		深圳市兆达鑫科技有限公司 Shenzhen Zhao Xin Technology Co., Ltd.	
DRAWN	刘志强	2015.08.18	TITLE:	PUSHBUTTON SWITCHS		
CHECKED	李毅	2015.08.18	PART NO.	5.8*5.8*4P双排DIP		
APPROVALS			张少辉	2015.08.18	SCALE: 1:1	
TOLERANCES ARE		30~以上 ±0.30	10~30 ±0.20	5~10 ±0.15	~ 5 ±0.10	ANGLE ±2'
ECN NO.	REV.	DATE.	DESCRIPTION.	CHANGE.	CHECK.	APPRO.

ECN NO.	REV.	DATE.	DESCRIPTION.	CHANGE.	CHECK.	APPRO.
	A		NEW			