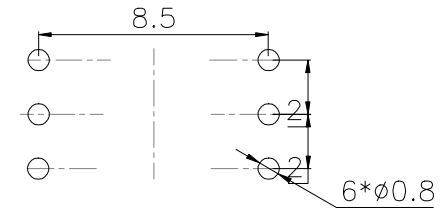
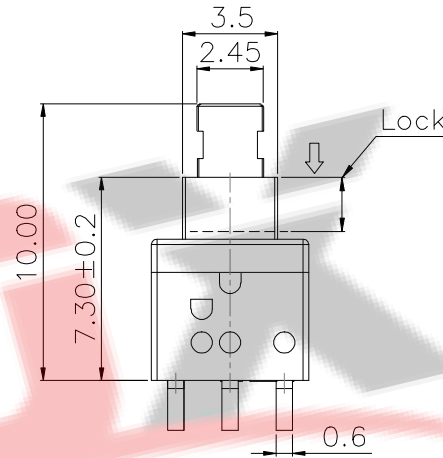
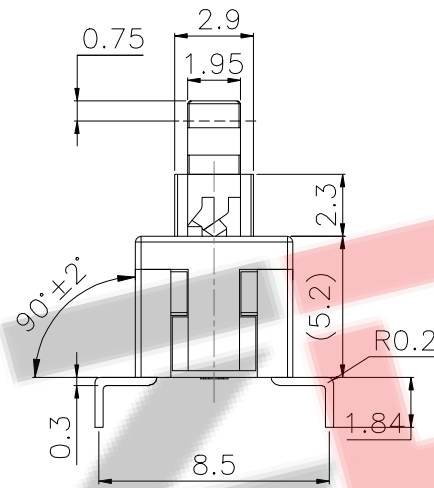


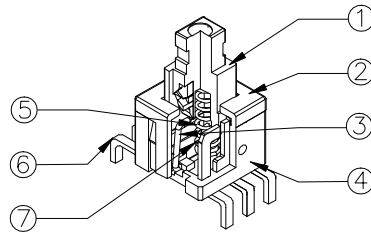
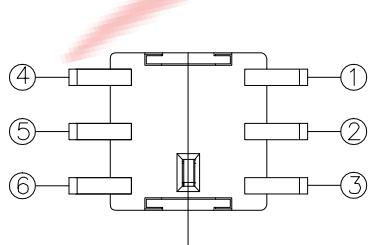
Circuit Diagram



PCB Layout(Pattern Side)



NOTE:  
 1.Rated Load: DC 30V 0.1A  
 2.Contact resistance: 30mΩ MAX  
 3.Insulation Resistance: 100MΩ MIN  
 4.Operating Force: 220gf±50gf  
 5.Travel : 2.0±0.2mm  
 6.Life: 10,000 Cycles



| ⑦    | Contact        | 2       | Phosphor bronze | Plating silver | ——        |        |
|------|----------------|---------|-----------------|----------------|-----------|--------|
| ⑥    | Terminal       | 6       | Brass strip     | Plating silver | ——        |        |
| ⑤    | Spring         | 1       | SUS             | Natural        | ——        |        |
| ④    | Base           | 1       | Nylon           | Gray           | ——        |        |
| ③    | Crochet Needle | 1       | SUS             | Natural        | ——        |        |
| ②    | Cover          | 1       | POM             | Black          | ——        |        |
| ①    | KNOB           | 1       | POM             | White          | ——        |        |
| ITEM | PART NAME      | TER'NO. | QTY.            | MATERIAL       | FINISHING | REMARK |

|                |        |            |       |  |                    |              |
|----------------|--------|------------|-------|--|--------------------|--------------|
| APPROVALS      |        | DATE       |       | 深圳市兆达鑫科技有限公司<br>Shenzhen Zhao Xin Technology Co., Ltd. |                    |              |
| DRAWN          | 刘志强    | 2015.08.18 |       |  |                    |              |
| CHECKED        | 李毅     | 2015.08.18 |       | TITLE:   | PUSHBUTTON SWITCHS |              |
| APPROVALS      | 张少辉    | 2015.08.18 |       | PART NO.   | 5.8*5.8加宽脚DIP      |              |
| TOLERANCES ARE | 30~45L | ±0.30      | ANGLE | UNIT: mm   | SCALE: 1:1         | PROJ:        |
|                | 10~30  | ±0.20      |       |  |                    |              |
|                | 5~10   | ±0.15      | ±2'   | DRAWING NO.  |                    | SHEET 1 OF 1 |
|                | ~ 5    | ±0.10      |       |  |                    |              |

|         |      |       |                  |         |        |        |
|---------|------|-------|------------------|---------|--------|--------|
| ECN NO. | REV. | DATE. | NEW DESCRIPTION. | CHANGE. | CHECK. | APPRO. |
|         | A    |       |                  |         |        |        |