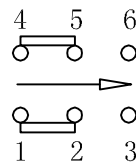
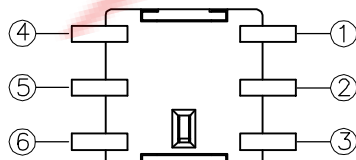
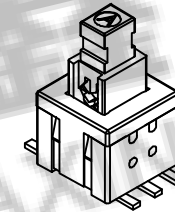
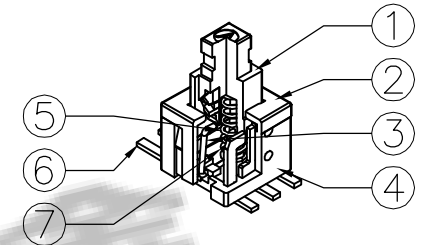
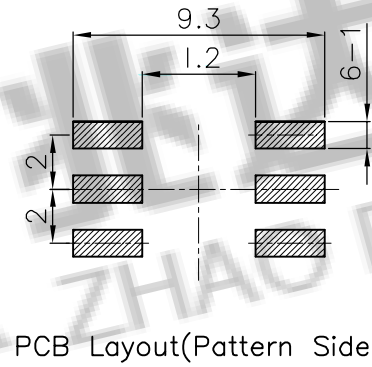
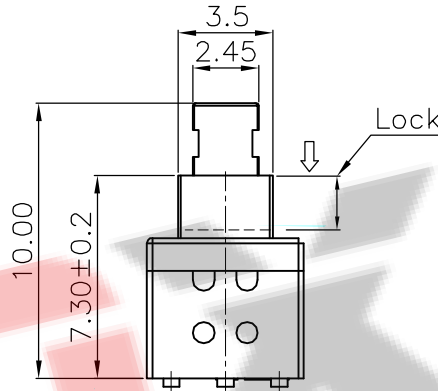
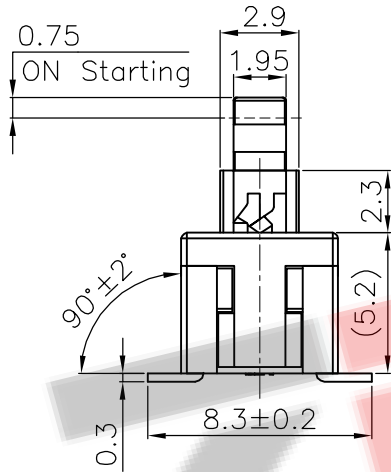


NOTE:
1. Operating Force: 180gf±50gf



Circuit Diagram

⑦	Contact		2	Phosphor bronze	Plating silver	——
⑥	Terminal	——	6	Brass strip	Plating silver	——
⑤	Spring	——	1	SUS	Natural	——
④	Base	——	1	Nylon	Gray	——
③	Crochet Needle	——	1	SUS	Natural	——
②	Cover	——	1	POM	Black	——
①	KNOB	——	1	POM	White	——
ITEM	PART NAME	TER'NO.	QTY.	MATERIAL	FINISHING	REMARK

APPROVALS			DATE		深圳市兆达鑫科技有限公司 Shenzhen Zhao Xin Technology Co., Ltd.	
DRAWN	刘志强	2015.08.18	TITLE:	PUSHBUTTON SWITCHES		
CHECKED	李文毅	2015.08.18	PART NO.	5.8*5.8双排贴片自锁开关		
APPROVALS			张少辉	2015.08.18		
TOLERANCES ARE		30~以上 ±0.30	10~30 ±0.20	ANGLE	UNIT: mm	SCALE: 1:1
		5~10 ±0.15	~ 5 ±0.10	±2'	DRAWING NO.	SHEET 1 OF 1

ECN NO.	REV.	DATE.	DESCRIPTION.	CHANGE.	CHECK.	APPRO.
	A		NEW			