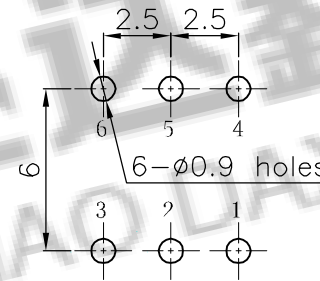
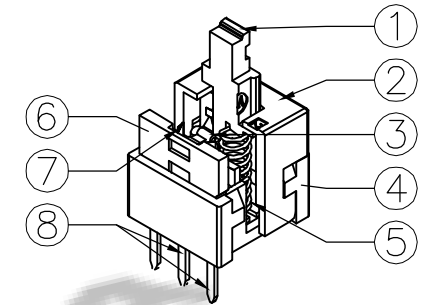
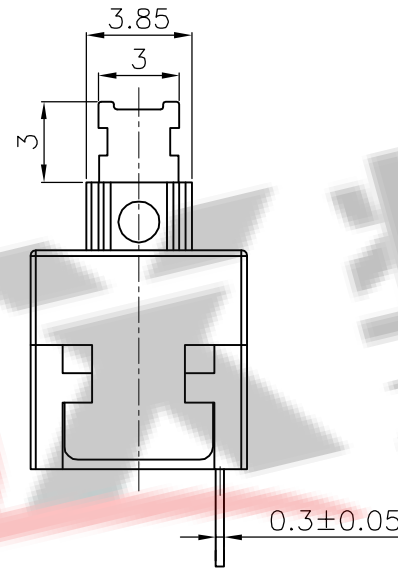
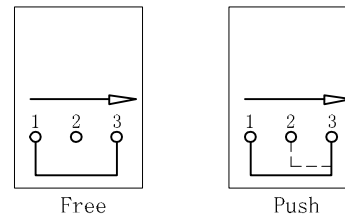
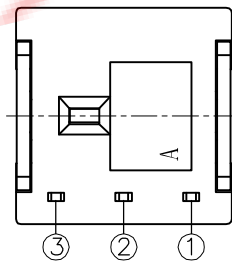
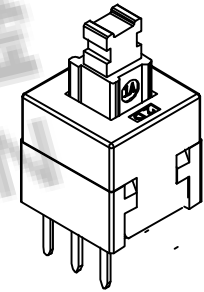


NOTE:
1. Operating Force: 180gf±50gf
2. Travel : 2.4±0.3mm



PCB Layout(Pattern Side)



Circuit Diagram

⑧	Terminal	—	6	Brass strip	Plating silver	——
⑦	Contact	—	2	Phosphor bronze	Plating silver	——
⑥	Securing glue	—	2	PA66	Black	——
⑤	Spring	—	1	SUS	Natural	——
④	Base	—	1	PBT	Black	——
③	Crochet Needle	—	1	SUS	Natural	——
②	Cover	—	1	POM	White	——
①	KNOB	—	1	POM	Blue	——
ITEM	PART NAME	TER'NO.	QTY.	MATERIAL	FINISHING	REMARK

APPROVALS		DATE	深圳市兆达鑫科技有限公司 Shenzhen Zhao Xin Technology Co., Ltd.			
DRAWN	刘志强	2015.08.18				
CHECKED	李毅	2015.08.18	TITLE:	PUSHBUTTON SWITCHS		
APPROVALS	张少辉	2015.08.18	PART NO.	8*8*3P单排自锁开关		
TOLERANCES ARE	30~以上	±0.30	ANGLE	UNIT: mm	SCALE: 1:1	PROJ:
	10~30	±0.20				
	5~10	±0.15	±2'	DRAWING NO.		SHEET 1 OF 1
	~ 5	±0.10				

ECN NO.	REV.	DATE.	DESCRIPTION.	CHANGE.	CHECK.	APPRO.
	A		NEW			