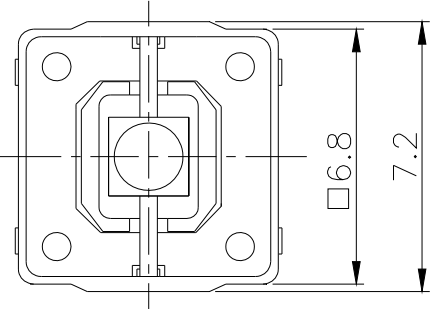
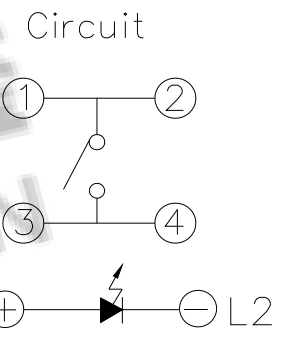
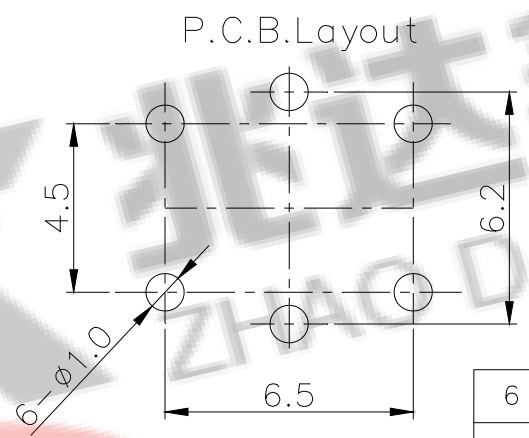
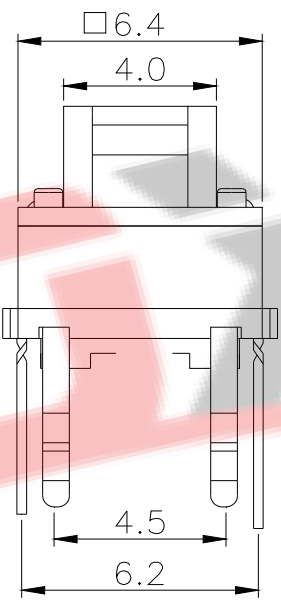
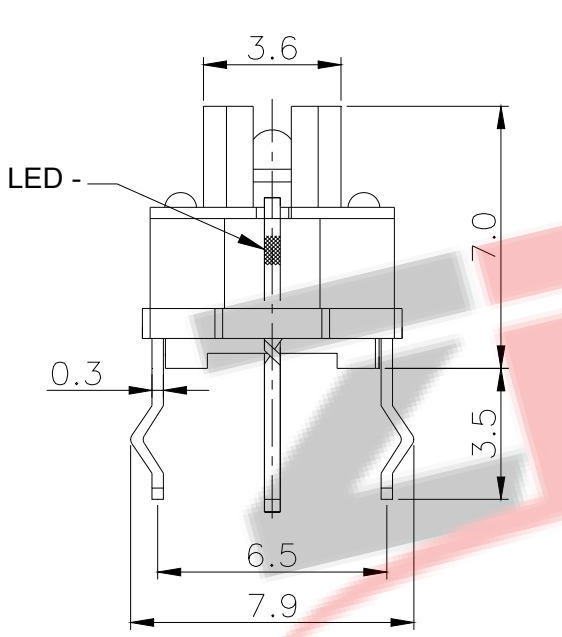
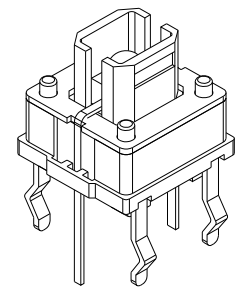


1 2 3 4 5 6



NOTES:
 1.RATING: 12VDC 50mA
 2.CONTACT RESISTANCE: 100mΩ Max
 3.INSULATION RESISTANCE: 250VDC FOR 1MIN
 4.DIELECTRIC STRENGTH: 250VAC(50/60Hz) FOR 1MIN
 5.LIFE TEST:100,000 CYCLES
 6.OPERATION FORCE&TRAVEL: SEE SPECIFICATION



LED COLOR					
1	2	3	4	5	6
Red	Yellow	Green	Blue	White	Pure Green

6	COVER	PET
5	TERMINAL	Bronze Silver Plated
4	CONTACT	PBS/SUS
3	LED	GaAsP/GaP
2	BUTTON	PA66
1	HOUSING	PA66
ITEM	PART NAME	MATERIAL

TOLERANCE				TITLE: TACT SWITCH	
UNLESS OTHERWISE STATED				PART NO.: 5.8*5.8带灯DIP	
X	±0.15	∠	±0.5°	MATL.:	UNIT: mm
X.X	±0.10	REV.	0	FINISH: --	SCALE: 4:1
DRAWN	Heyf	2006/07/15			
CHK'D					
APPV'D					
A4	1 OF 1	⊕	深圳市兆达鑫科技有限公司 Shenzhen Zhao Xin Technology Co., Ltd.		

REV.	REVISION RECORD	DATE	REV.	REVISION RECORD	DATE

1 2 3 4 5 6