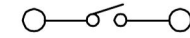
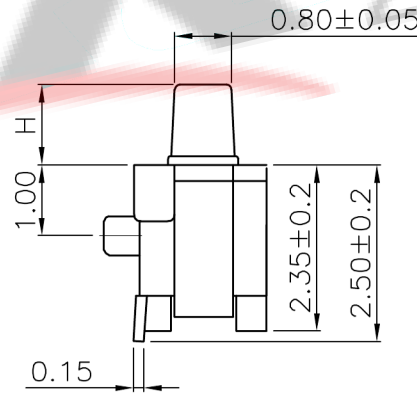
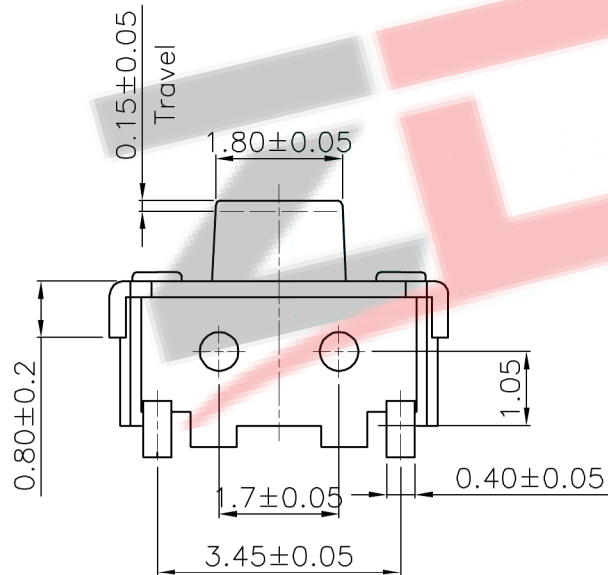


PCB Layout(Pattern side)



Circuit Diagram



NO.1	
PART NO	H
A	1.2
B	0.9
C	1.5

NO.2	
PART NO	vigor
1	90±30
2	130±30
3	180±30
4	250±30
5	350±50

NO.3	
PART NO	MATERIAL/QTY
S	SUS/1PC
C	C5210/1PC
D	SUS/2PCS
F	C5210/2PCS

NO.4-NO.5	
PART NO	NOTE
01~99	SERIAL NUMBER

2015.08.18

2015.08.18

⑤	Terminal	—	2	Phosphor Bronze	Plating silver	—
④	Contact	—	2	SUS	Natural	—
③	Base	—	1	LCP	White	—
②	Cover	—	1	Brass	Plating silver	—
①	Knob	—	1	PA46	Black	—
ITEM	PART NAME	TER'NO.	QTY.	MATERIAL	FINISHING	REMARK

APPROVALS

DATE

DRAWN 刘志强 2015.08.18

ZDX 深圳市兆达鑫科技有限公司
Shenzhen Zhao Xin Technology Co., Ltd.

CHECKED 李文毅 2015.08.18

TITLE: TACT SWITCHES

APPROVALS 张少辉 2015.08.18

PART NO. 2X4X3.5MM侧按

TOLERANCES ARE

30~以上 ±0.30
10~30 ±0.20
5~10 ±0.15
~ 5 ±0.10

ANGLE

±2'

UNIT: mm SCALE: 1:1 PROJ:

DRAWING NO. SHEET 1 OF 1

ECN NO.	REV.	DATE.	DESCRIPTION.	CHANGE.	CHECK.	APPRO.
	A		NEW			