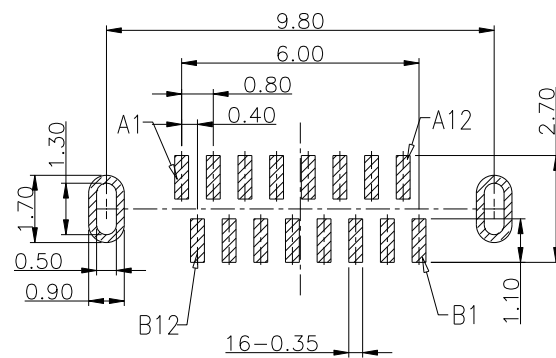
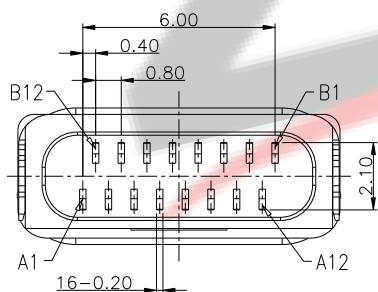


装前塞示意图

NOTES:

SPECIFICATION:

1. CURRENT RATING: 3.0 A
2. VOLTAGE RATING: 3.0 V
3. VBUS & GND PINS AND OTHER PINS: 40mΩ/PIN MAX
SHIELD: 50mΩ/MAX
LLCR MAX. CHANGE OF ALL PINS: 10Ωm
4. INSULATION RESISTANCE: 100MΩ MIN
5. DIELECTRIC WITHSTAND VOLTAGE, AC 100V FOR 1MIN
6. INSERTION FORCE: 0.5~2.0kgf
7. UNMATING FORCE: 0.8-2.0kgf
8. DURABILITY: 10000 CYCLES
9. OPERATING TEMPERATURE: -35°C~+85°C
10. THE PEAK TEMPERATURE ON THE BOARD SHALL BE MAINTAINED FOR 10 SECONDS AT 260°C
11. WATERPROOF: IP-X7.



RECOMMEND P.C.B LAYOUT

TOLERANCE UNSPECIFIED ±0.05mm

USB TYPE C PIN ASSIGNMENTS

| PIN NUMBER | SIGNAL NAME | PIN NUMBER | SIGNAL NAME |
|------------|-------------|------------|-------------|
| A1 | GND | B12 | GND |
| A4 | VBUS | B9 | VBUS |
| A5 | CC1 | B8 | SBU2 |
| A6 | DP1 | B7 | DN2 |
| A7 | DN1 | B6 | DP2 |
| A8 | SBU1 | B5 | CC2 |
| A9 | VBUS | B4 | VBUS |
| A12 | GND | B1 | GND |

ZDX 深圳市兆达鑫科技有限公司
Shenzhen Zhao Xin Technology Co., Ltd.

| | | | | |
|--|------------|------------|---------------------------------------|-----------|
| TOLERANCE: X.XX ±0.30 X.XXX ±0.20 X.XXX ±0.10 X.XX ±0.05 X.X ±0.02 X.X ±0.01 X.X ±0.005 X.X ±0.002 X.X ±0.001 | DRAWN BY : | DATE : | PART NAME: TYPE-C16P防水两脚 立贴全塑H7.45 | |
| | 刘志强 | 2015.08.18 | CHECKED BY: | SEE TABLE |
| | 李毅 | 2015.08.18 | DATE : | PART NO. |
| APPROVED BY: | DATE : | DRAW NO: | ZDHS0600FS273 | |
| 张少辉 | 2015.08.18 | SHEET NO. | 1 OF 1 | |

UNIT: mm [inch]
SCALE: 1:1 SIZE: A4