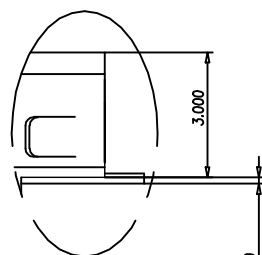
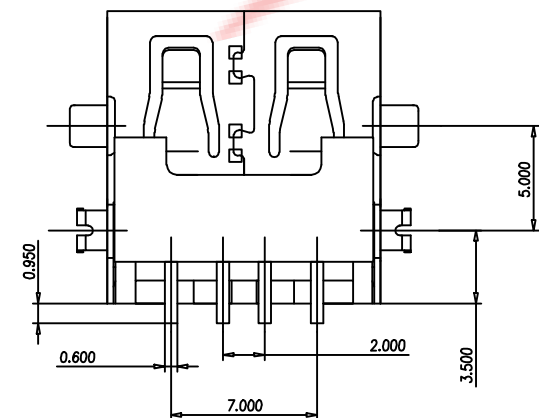
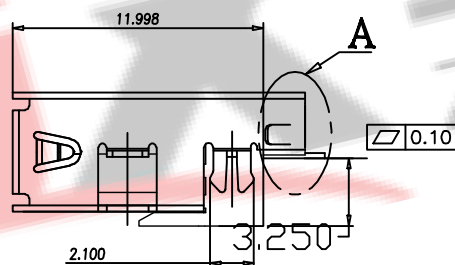
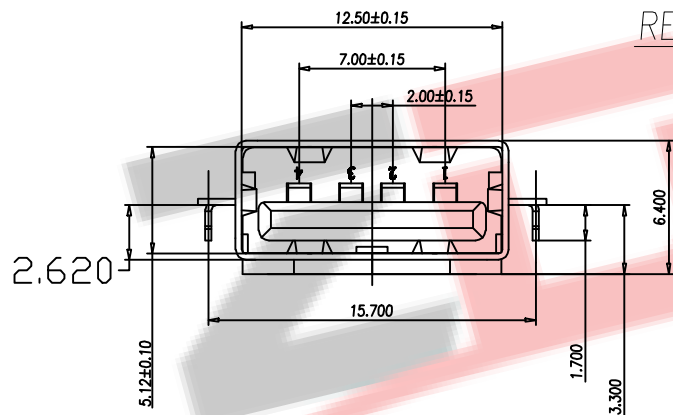


NOTES:

- Housing: Thermoplastics,UL94V-0
- Contact: Copper Alloy
- Shell: Copper Alloy/Steel
- Voltage Current Rating:1.5 AMP. 30V AC
- Insulation Resistance:1000MΩ Min.
- Contact Resistance:30 MΩ Max.
- Dielectric Withstanding Voltage:500W AC
- Temperature Range: -35°C to +85°C
- Insulator color: Black/White
- Plastic material:PBT/LCP/Others
- Shell finish:Nickel plated/Tin-Lead plated
- Mechanical:
- Mating Force:3.5KG MAX
- Unmating Force:1.02 KG MIN.
- Contact finish:

RECOMMENDED P.C.B. PATTERN LAYOUT



DET "A"  
2:1

- 01: Selective Gold Flash
- 02: Selective Gold 3U"
- 03: Selective Gold 5U"
- 04: Selective Gold 15U"
- 05: Selective Gold 30U"

<b>深圳市兆达鑫科技有限公司</b> Shenzhen Zhao Xin Technology Co., Ltd.			
TOLERANCE: XXX ±0.30 X:XXX ±0.20 X:XXX ±0.10 X:XXX ±0.10 X:XXX ±0.05	DRAWN BY : 刘志强	DATE : 2015.08.18	PART NAME: 沉板破板180度直边
UNIT: mm [inch] SCALE:1:1 SIZE: A4	CHECKED BY: 李毅	DATE : 2015.08.18	PART NO. SEE TABLE MOLD NO.
	APPROVED BY: 张少辉	DATE : 2015.08.18	DRAW NO: ZDXAFUSB20232 SHEET NO. 1 OF 1