

规格说明: Specifications:

电气特性: Electrical:

1. 额定电流: Current Rating
1.5A/contact terminal
2. 额定电压: Voltage Rating
30V DC
3. 接触电阻: Contact Resistance
30 milliohms MAX
4. 耐电压: Dielectric Withstanding Voltage:
500 V AC AT Sea Level
5. 绝缘电阻: Insulation Resistance:
1000MEGA ohms MIN

1. 插拔力: Connector Mate and Unmate Force
Mate force: 3.57kgf(MAX)
Unmate force: 1.02kgf(MIN)
2. 端子保持力: Terminal Retention
1.0kgf(MIN)

1. 塑胶: Housing:
Hing Temperature Thermoplastics,

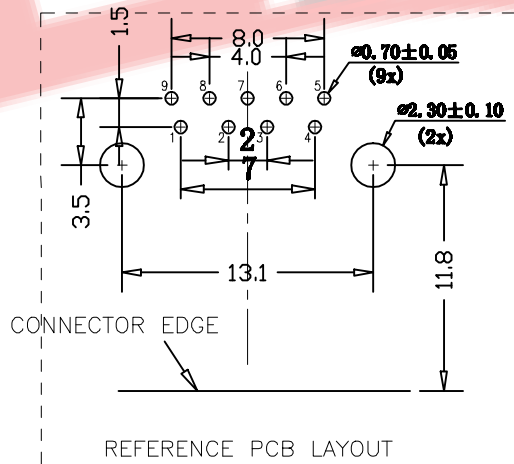
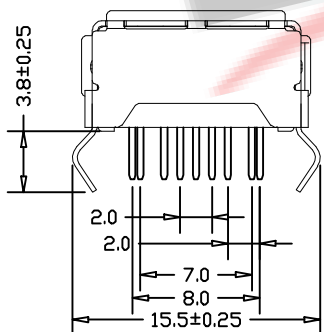
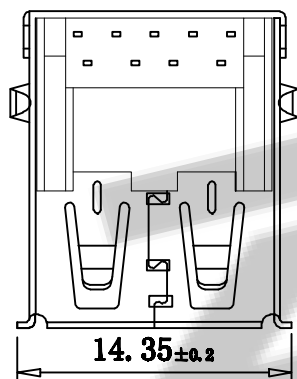
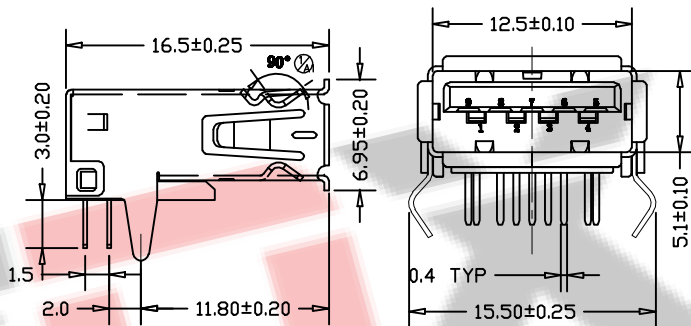
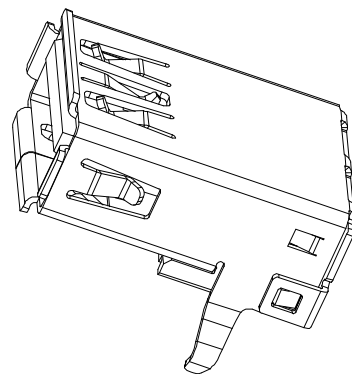
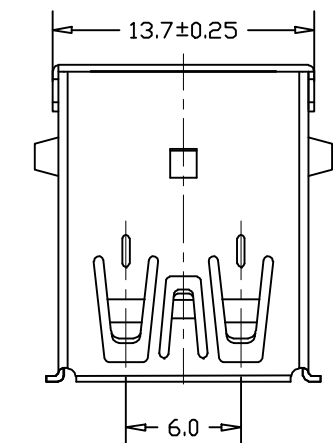
2. 端子: Contact: Copper Alloy C2680
3. 外壳: Shell: Copper Alloy C2680/SPCC

电镀: Finish:

1. 端子: Contact: Plated Gold in Mating Area;
Tin On Solder Tails

端子四周镀30-50U"(MIN)锡, "镀金1U"

2. 外壳: Shell:
铁壳四周镀80U"(MIN)锡, 铜壳四周镀60-80U"(MIN)镍
Nickel Plating



深圳市兆达鑫科技有限公司 Shenzhen Zhao Xin Technology Co., Ltd.			
TOLERANCE: X X ±0.30 X XX ±0.20 X XXX ±0.10 X ° ±10° X ° ±5°	DRAWN BY : 刘志强	DATE : 2015.08.18	PART NAME: 3.0 90度卷边弯脚
UNIT: mm [inch]	CHECKED BY: 李毅	DATE : 2015.08.18	PART NO. SEE TABLE MOLD NO.
SCALE: 1:1 SIZE: A4	APPROVED BY: 张少辉	DATE : 2015.08.18	DRAW NO.: ZDXAF300050001 SHEET NO.: 1 OF 1