

规格说明: Specifications:

电气特性: Electrical:

1. 额定电流: Current Rating  
1.5A/contact terminal
2. 额定电压: Voltage Rating  
30V DC
3. 接触电阻: Contact Resistance  
30 milliohms MAX
4. 耐电压: Dielectric Withstanding Voltage:  
500 V AC AT Sea Level
5. 绝缘电阻: Insulation Resistance:  
1000MEGA ohms MIN

1. 插拔力: Connector Mate and Unmate Force  
Mate force: 3.57kgf(MAX)  
Unmate force: 1.02kgf(MIN)
2. 端子保持力: Terminal Retention  
1.0kgf(MIN)

1. 塑胶: Housing:  
Hing Temperature Thermoplastics,

2. 端子: Contact: Copper Alloy C2680

3. 外壳: Shell: Copper Alloy C2680/SPCC

电镀: Finish:

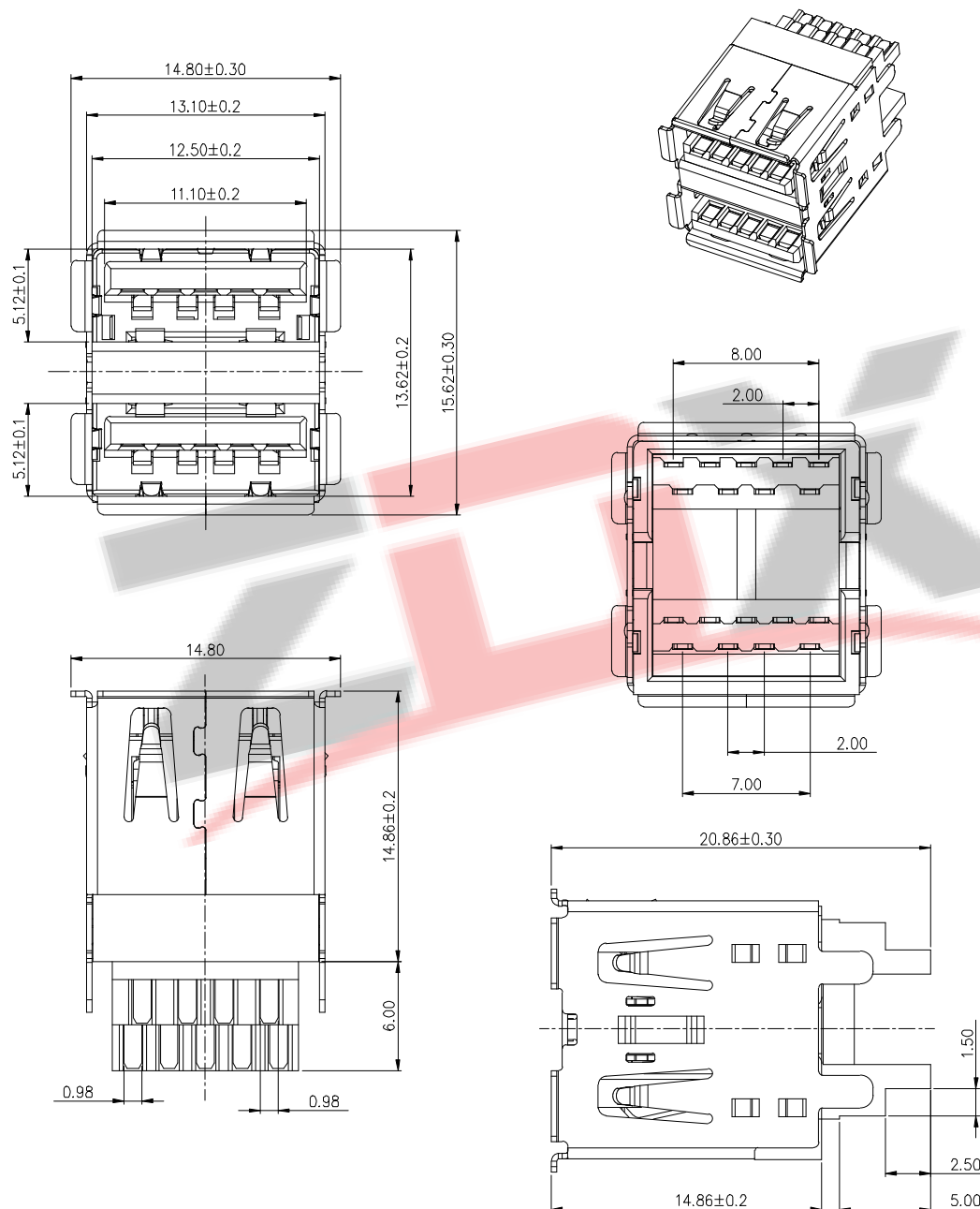
1. 端子: Contact: Plated Gold in Mating Area;  
Tin On Solder Tails

端子四周镀30-50U"(MIN)锡, "镀金1U"

2. 外壳: Shell:

铁壳四周镀80U"(MIN)锡, 铜壳四周镀60-80U"(MIN)镍

Nickel Plating



<b>深圳市兆达鑫科技有限公司</b> Shenzhen Zhao Xin Technology Co., Ltd.			
TOLERANCE: X X ±0.30 X XX ±0.20 X XXX ±0.10 X ° ±10° X ° ±5°	DRAWN BY : <b>刘志强</b>	DATE : 2015.08.18	PART NAME: <b>3.0 双层焊线</b>
UNIT: mm [inch] SCALE: 1:1 SIZE: A4	CHECKED BY: <b>李毅</b>	DATE : 2015.08.18	PART NO. SEE TABLE MOLD NO.
	APPROVED BY: <b>张少辉</b>	DATE : 2015.08.18	DRAW NO: ZDXAF300050013 SHEET NO. 1 OF 1

规格说明: Specifications:

电气特性: Electrical:

1. 额定电流: Current Rating  
1.5A/contact terminal
2. 额定电压: Voltage Rating  
30V DC
3. 接触电阻: Contact Resistance  
30 milliohms MAX
4. 耐压: Dielectric Withstanding Voltage:  
500 V AC AT Sea Level
5. 绝缘电阻: Insulation Resistance:  
1000MEGA ohms MIN

1. 插拔力: Connector Mate and Unmate Force  
Mate force: 3.57kgf(MAX)  
Unmate force: 1.02kgf(MIN)
2. 端子保持力: Terminal Retention  
1.0kgf(MIN)

1. 塑胶: Housing:  
Hing Temperature Thermoplastics,

2. 端子: Contact: Copper Alloy C2680

3. 外壳: Shell: Copper Alloy C2680/SPCC

电镀: Finish:

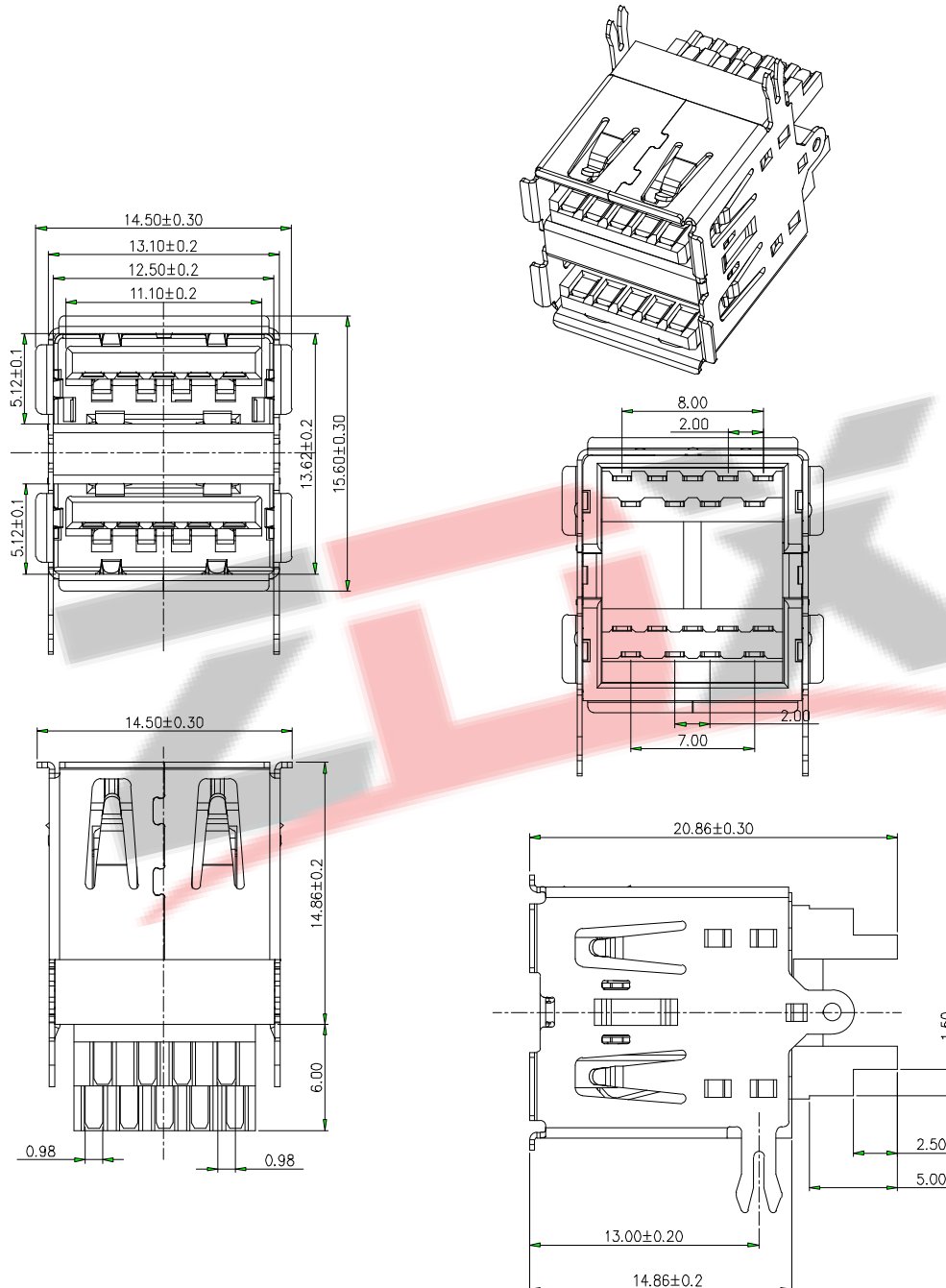
1. 端子: Contact: Plated Gold in Mating Area;  
Tin On Solder Talls

端子四周镀30-50U"(MIN)镍,"镀金1U"

2. 外壳: Shell:

铁壳四周镀80U"(MIN)镍, 铜壳四周镀60-80U"(MIN)镍

Nickel Plating



<b>深圳市兆达鑫科技有限公司</b> Shenzhen Zhao Xin Technology Co., Ltd.			
TOLERANCE: X X ±0.30 X XX ±0.20 X XXX ±0.10 X ° ±10° X ° ±5°	DRAWN BY : <b>刘志强</b>	DATE : 2015.08.18	PART NAME: <b>3.0 双层焊线</b>
UNIT: mm [inch] SCALE: 1:1 SIZE: A4	CHECKED BY: <b>李毅</b>	DATE : 2015.08.18	PART NO. SEE TABLE MOLD NO.
	APPROVED BY: <b>张少辉</b>	DATE : 2015.08.18	DRAW NO: ZDXAF300050001 SHEET NO. 1 OF 1