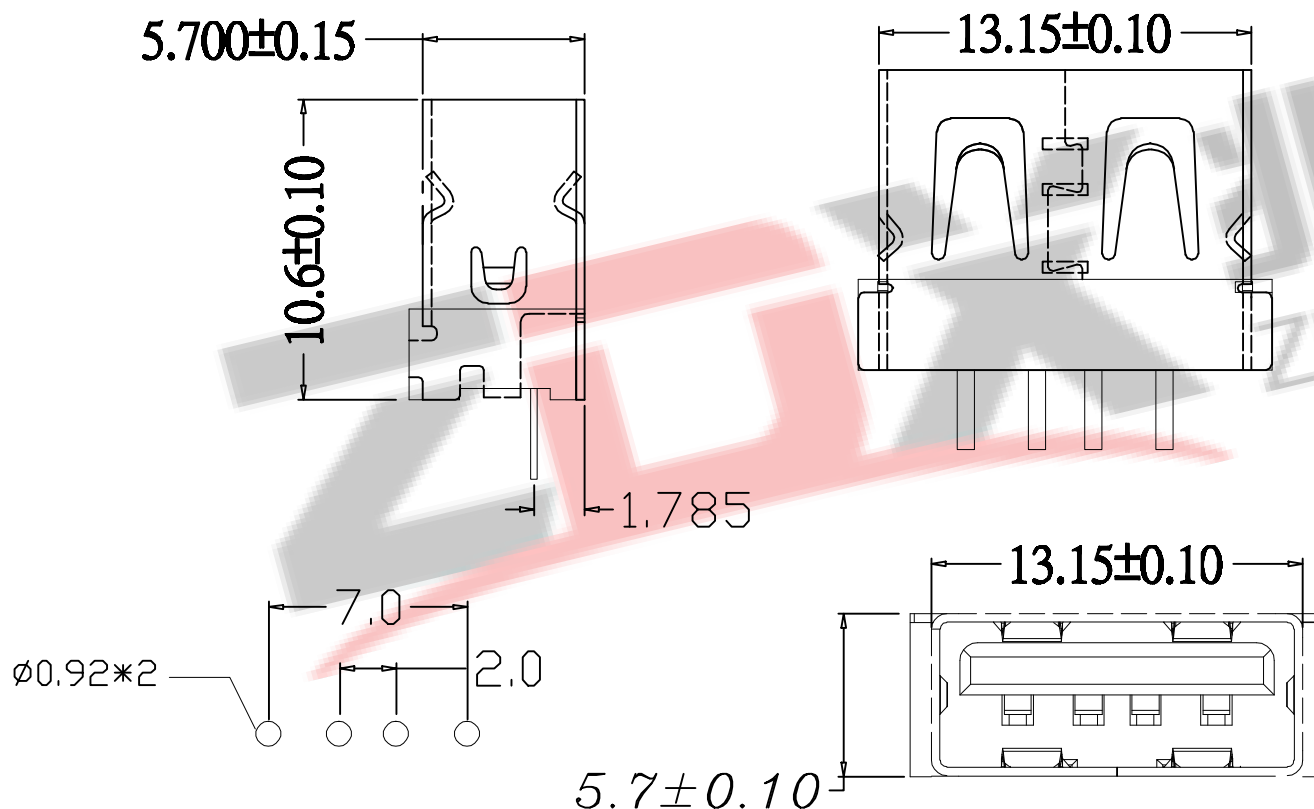





NOTES:

Housing: Thermoplastics,UL94V-0  
 Contact: Copper Alloy  
 Shell: Copper Alloy/Steel  
 Voltage Current Rating:1.5 AMP. 30V AC  
 Insulation Resistance:1000MΩ Min.  
 Contact Resistance:30 MΩ Max.  
 Dielectric Withstanding Voltage:500W AC  
 Temperature Range:-35°C to +85°C  
 Insulator color: Black/White  
 Plastic material:PBT/LCP/Others  
 Shell finish:Nickel plated/Tin-Lead plated  
 Mechanical:  
 Mating Force:3.5KG MAX  
 Unmating Force:1.02 KG MIN.  
 Contact finish:  
 01: Selective Gold Flash  
 02: Selective Gold 3U"  
 03: Selective Gold 5U"  
 04: Selective Gold 15U"  
 05: Selective Gold 30U"



 <b>深圳市兆达鑫科技有限公司</b> Shenzhen Zhao Xin Technology Co., Ltd.			
TOLERANCE: X.X ±0.30 X.XX ±0.20 X.XXX ±0.10 X.X° ±10° X.X° ±5°	DRAWN BY : 刘志强	DATE : 2015.08.18	PART NAME: 10.6 无边无脚贴板
  UNIT: mm [inch] SCALE:1:1 SIZE: A4	CHECKED BY: 李毅	DATE : 2015.08.18	PART NO. SEE TABLE MOLD NO.
	APPROVED BY: 张少辉	DATE : 2015.08.18	DRAW NO.: ZDXAFUSB20135 SHEET NO. 1 OF 1