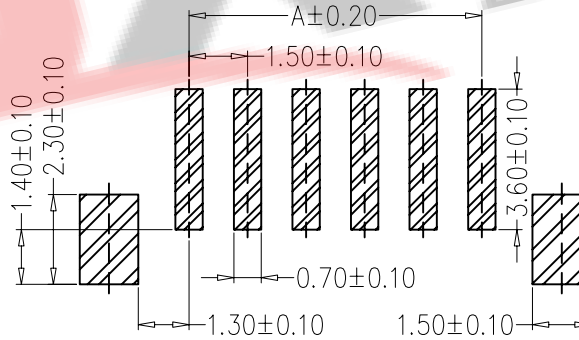
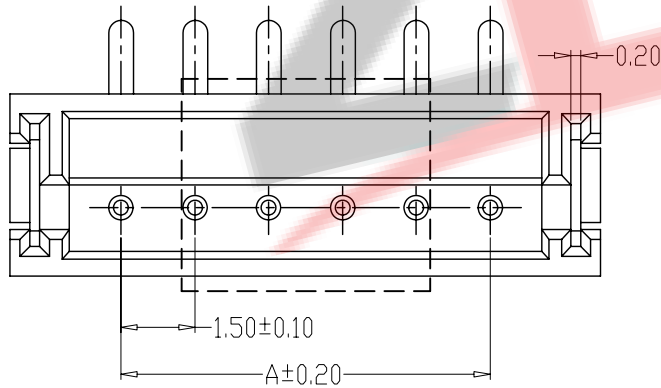


SPECIFICATIONS

- 1、Current Rating: 1A AC, DC
- 2、Voltage Rating: 100V AC, DC
- 3、Temperatuer Range: -25°C~+85°C
- 4、Contact Resistance: 20mΩ Max
- 5、Insulation Resistance: 500MΩ Min
- 6、Withstanding Voltang: 500V AC/minute
- 7、Material: Wafer Nylon 6T, UL94V-0
PIN Brass Tin-plated
Solder tad Phosphoric copper Tin-plated



PCB LAYOUT

编 号	尺寸 (mm)	
	A	B
ZDX16-LF02-150	1.50	6.00
ZDX16-LF03-150	3.00	7.50
ZDX16-LF04-150	4.50	9.00
ZDX16-LF05-150	6.00	10.50
ZDX16-LF06-150	7.50	12.00
ZDX16-LF07-150	9.00	13.50
ZDX16-LF08-150	10.50	15.00
ZDX16-LF09-150	12.00	16.50
ZDX16-LF10-150	13.50	18.00
ZDX16-LF11-150	15.00	19.50
ZDX16-LF12-150	16.50	21.00
ZDX16-LF20-150	28.50	33.00

ZDX 深圳市兆达鑫科技有限公司
Shenzhen Zhao Xin Technology Co., Ltd.

TOLERANCE: X.X ±0.30 X.XX ±0.25 X.XXX ±0.15 X.' ±2' X.X' ±0.5'	DRAWN BY : 刘志强	DATE : 2016.05.08	PART NAME: 1.5 立式贴片wafer	
	CHECKED BY: 罗秋海	DATE : 2016.05.08	PART NO.	
UNIT: mm [inch] SCALE:1:1 SIZE: A4	APPROVED BY: 陈鸣杰	DATE : 2016.05.08	MOLD NO.	
			DRAW NO:	
			SHEET NO.	1 OF 1