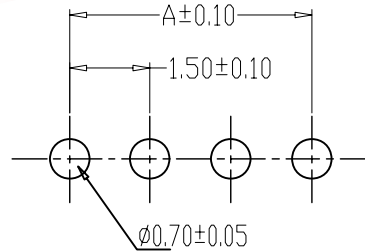
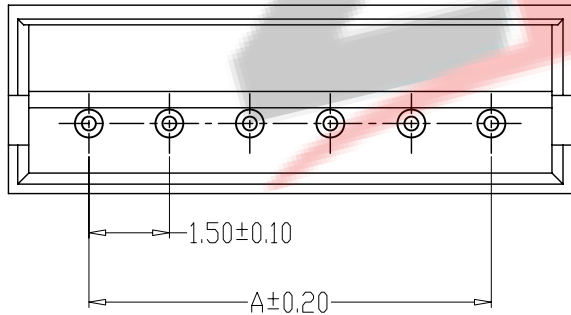


TYPE 1

TYPE 2

SPECIFICATIONS

- 1、Current Rating: 1A AC, DC
- 2、Voltage Rating: 100V AC, DC
- 3、Temperatuer Range: -25℃~+85℃
- 4、Contact Resistance: 20mΩ Max
- 5、Insulation Resistance: 500MΩ Min
- 6、Withstanding Voltang: 500V AC/minute
- 7、Material:Wafer PBT,UL94V-0  
PIN Brass Tin-plated



PCB LAYOUT

编 号	尺寸 (mm)	
	A	B
ZDX16-02A-150	1.50	4.50
ZDX16-03A-150	3.00	6.00
ZDX16-04A-150	4.50	7.50
ZDX16-05A-150	6.00	9.00
ZDX16-06A-150	7.50	10.50
ZDX16-07A-150	9.00	12.00
ZDX16-08A-150	10.50	13.50
ZDX16-09A-150	12.00	15.00
ZDX16-10A-150	13.50	16.50
ZDX16-11A-150	15.00	18.00
ZDX16-12A-150	16.50	19.50
ZDX16-20A-150	28.50	31.50

**ZDX** 深圳市兆达鑫科技有限公司  
Shenzhen Zhao Xin Technology Co., Ltd.

TOLERANCE: X.X ±0.30 X.XX ±0.25 X.XXX ±0.15 X' ±2' X.X' ±0.5'	DRAWN BY : 刘志强	DATE : 2016.05.08	PART NAME: 1.5 直针	
	CHECKED BY: 罗秋海	DATE : 2016.05.08	PART NO.	
UNIT: mm [inch] SCALE:1:1 SIZE: A4	APPROVED BY: 陈鸣杰	DATE : 2016.05.08	MOLD NO.	
			DRAW NO:	
			SHEET NO.	1 OF 1