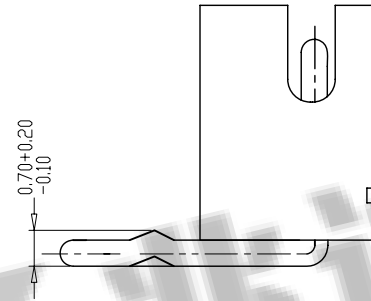


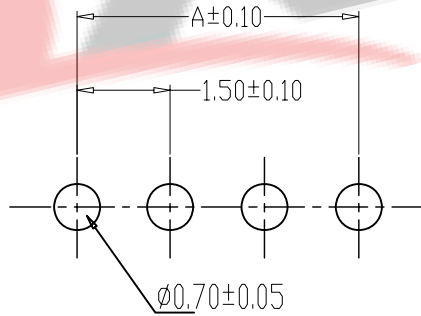
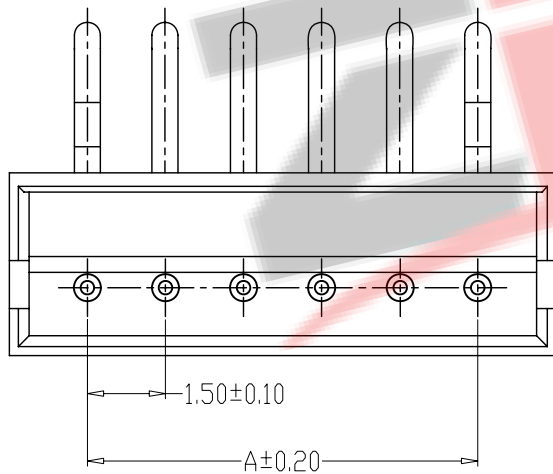
TYPE 1



TYPE 2

SPECIFICATIONS

- 1、Current Rating: 1A AC, DC
- 2、Voltage Rating: 100V AC, DC
- 3、Temperature Range: -25°C ~ +85°C
- 4、Contact Resistance: 20mΩ Max
- 5、Insulation Resistance: 500MΩ Min
- 6、Withstanding Voltage: 500V AC/minute
- 7、Material: Wafer PBT, UL94V-0
PIN Brass Tin-plated



PCB LAYOUT

编号	尺寸 (mm)	
	A	B
ZDX16-02AW-150	1.50	4.50
ZDX16-03AW-150	3.00	6.00
ZDX16-04AW-150	4.50	7.50
ZDX16-05AW-150	6.00	9.00
ZDX16-06AW-150	7.50	10.50
ZDX16-07AW-150	9.00	12.00
ZDX16-08AW-150	10.50	13.50
ZDX16-09AW-150	12.00	15.00
ZDX16-10AW-150	13.50	16.50
ZDX16-11AW-150	15.00	18.00
ZDX16-12AW-150	16.50	19.50
ZDX16-20AW-150	28.50	31.50

ZDX 深圳市兆达鑫科技有限公司
Shenzhen Zhao Xin Technology Co., Ltd.

TOLERANCE: X.X ±0.30 X.XX ±0.25 X.XXX ±0.15 X.' ±2' X.X' ±0.5'	DRAWN BY : 刘志强	DATE : 2016.05.08	PART NAME: 1.5 弯针	
	CHECKED BY: 罗秋海	DATE : 2016.05.08	PART NO.	
 UNIT: mm [inch] SCALE:1:1 SIZE: A4	APPROVED BY: 陈鸣杰	DATE : 2016.05.08	MOLD NO.	
			DRAW NO:	
			SHEET NO.	1 OF 1