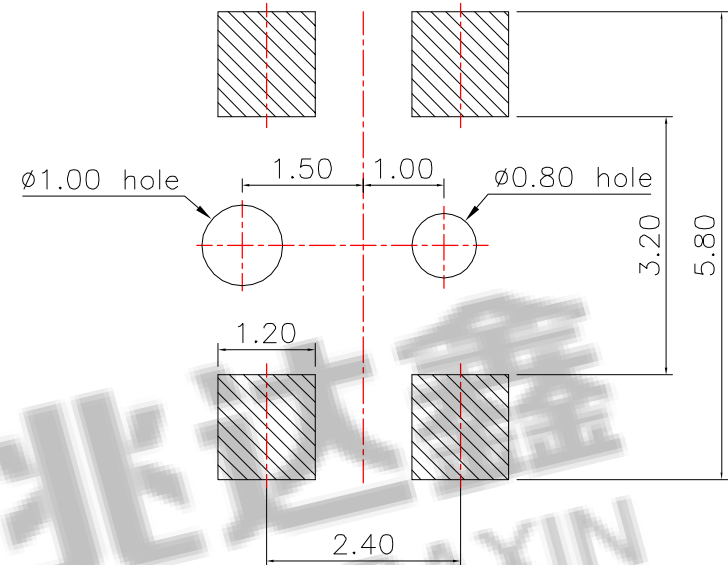
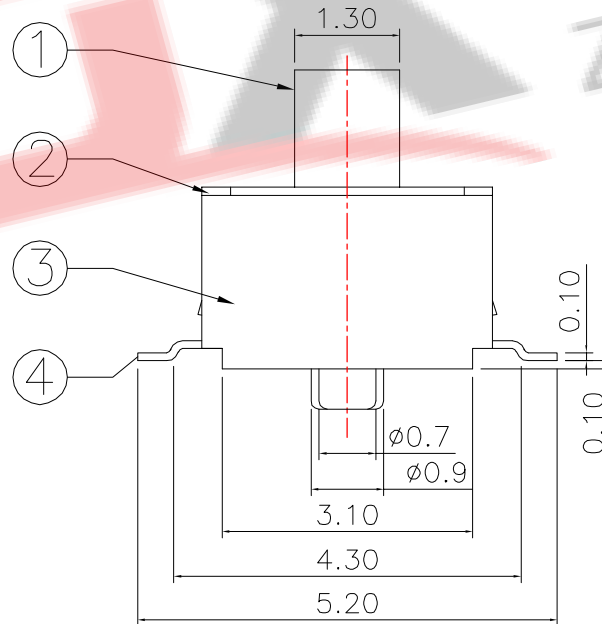
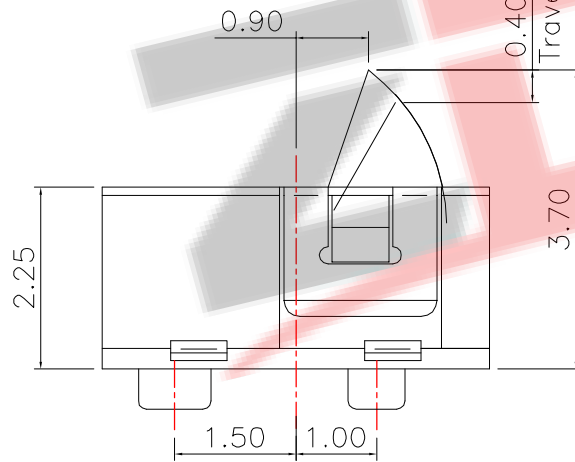


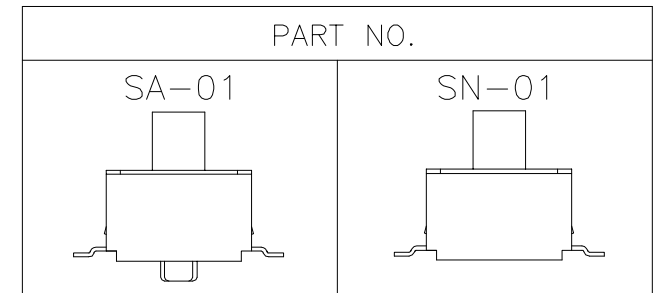
Circuit Diagram



PCB Layout(Pattern side)



NOTE:
 Rating: DC 30V 0.1A
 Operating Force: 30±10gf
 Lifetime: 100,000 Cycles



⑤	Contact Spring	—	1	Be Alloy	Ag Plated	—
④	Terminal	—	4	Phosphor Bronze	Ag Plated	—
③	Base	—	1	LCP	Black	—
②	Cover	—	1	SUS	Natural	—
①	Slider	—	1	PA46	Black	—
ITEM	PART NAME	TER'NO.	QTY.	MATERIAL	FINISHING	REMARK

APPROVALS			DATE		深圳市兆达鑫科技有限公司 Shenzhen Zhao Xin Technology Co., Ltd.	
DRAWN	刘志强	2015.08.18	TITLE:	DETECTOR SWITCHS		
CHECKED	李文毅	2015.08.18	PART NO.	KFC-V-225		
APPROVALS			张少辉	2015.08.18		
TOLERANCES ARE		30~以上 ±0.30	10~30 ±0.20	ANGLE	UNIT: mm	
		5~10 ±0.15	~ 5 ±0.10	±2'	SCALE: 1:1	
ECN NO.	REV.	DATE.	DESCRIPTION.	CHANGE.	CHECK.	APPRO.

ECN NO.	REV.	DATE.	DESCRIPTION.	CHANGE.	CHECK.	APPRO.
	A		NEW			