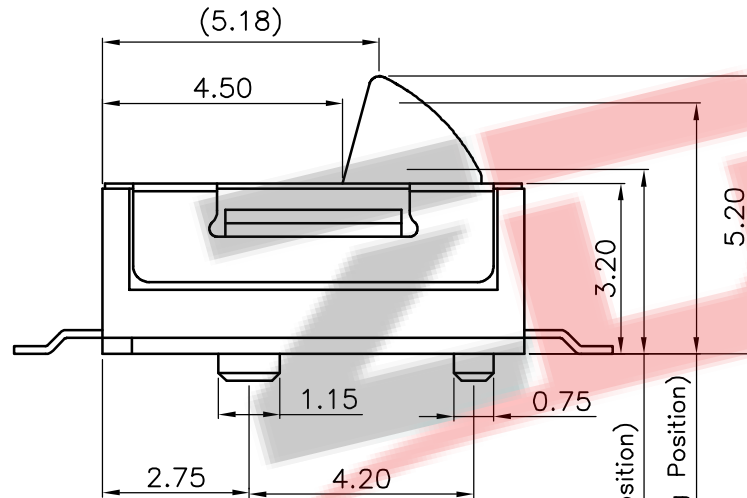
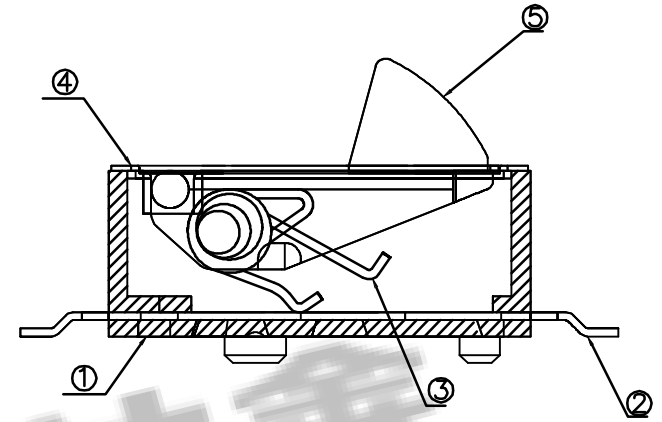
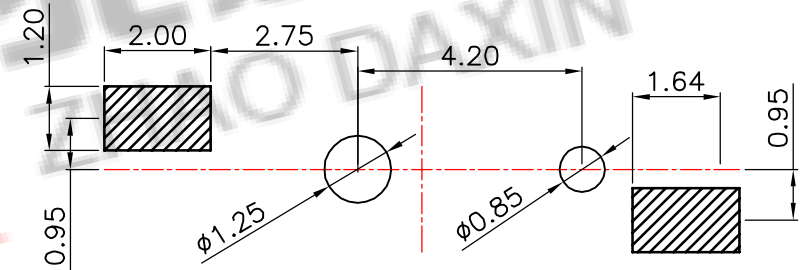
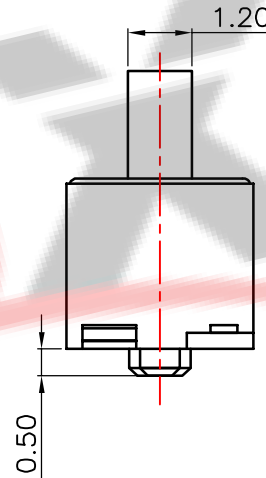


Circuit Diagram



3.45 (Full Position)
4.70 (ON Starting Position)



PCB Layout(Pattern side)

Typical Specifications

- 1.Rating : DC 12V 50mA
- 2.Contact Resistance: $\leq 100\text{m}\Omega$
- 3.Insulation Resistance: $\geq 100\text{m}\Omega$ DC500V
- 4.Operating Temperature Range: $-25^{\circ}\text{C}+80^{\circ}\text{C}$
- 5.Ambient Humidity Used: $\leq 85\%\text{RH}$
- 6.Operating Force : $30\text{gf}\pm 20\text{gf}$,
- 7.Life : 100,000 Cycles

ITEM	PART NAME	TER'NO.	QTY.	MATERIAL	FINISHING	REMARK
⑤	Knob	—	1	NYLON	Black	—
④	Cover	—	1	SUS	Ct	—
③	Contact Spring	—	1	Phosphor Bronze	Ag Plated	—
②	Terminal	—	4	Phosphor Bronze	Ag Plated	—
①	Base	—	1	LCP	Black	—

APPROVALS		DATE	ZDX 深圳市兆达鑫科技有限公司 Shenzhen Zhao Xin Technology Co., Ltd.			
DRAWN	刘志强	2015.08.18	TITLE:	DETECTOR SWITCHES		
CHECKED	李文毅	2015.08.18	PART NO.	KFC-V-226		
APPROVALS	张少辉	2015.08.18	UNIT: mm	SCALE: 1:1	PROJ:	
TOLERANCES ARE		30~以上 ±0.30	ANGLE	DRAWING NO.	SHEET 1 OF 1	
		10~30 ±0.20				
		5~10 ±0.15	±2'			
		~ 5 ±0.10				

ECN NO.	REV.	DATE.	DESCRIPTION.	CHANGE.	CHECK.	APPRO.
	A		NEW			