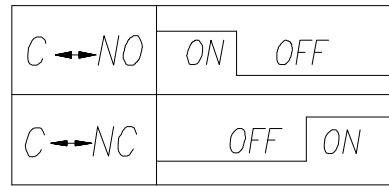
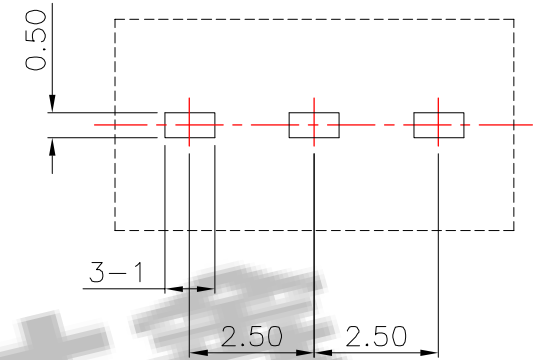


SWITCHING SEQUENCE

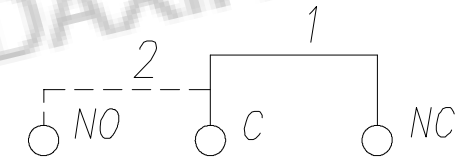
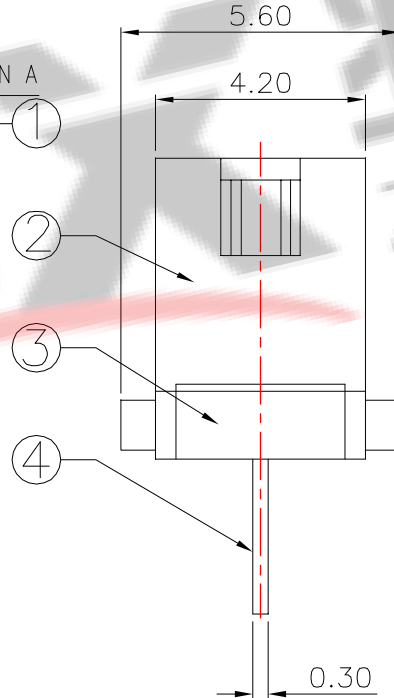
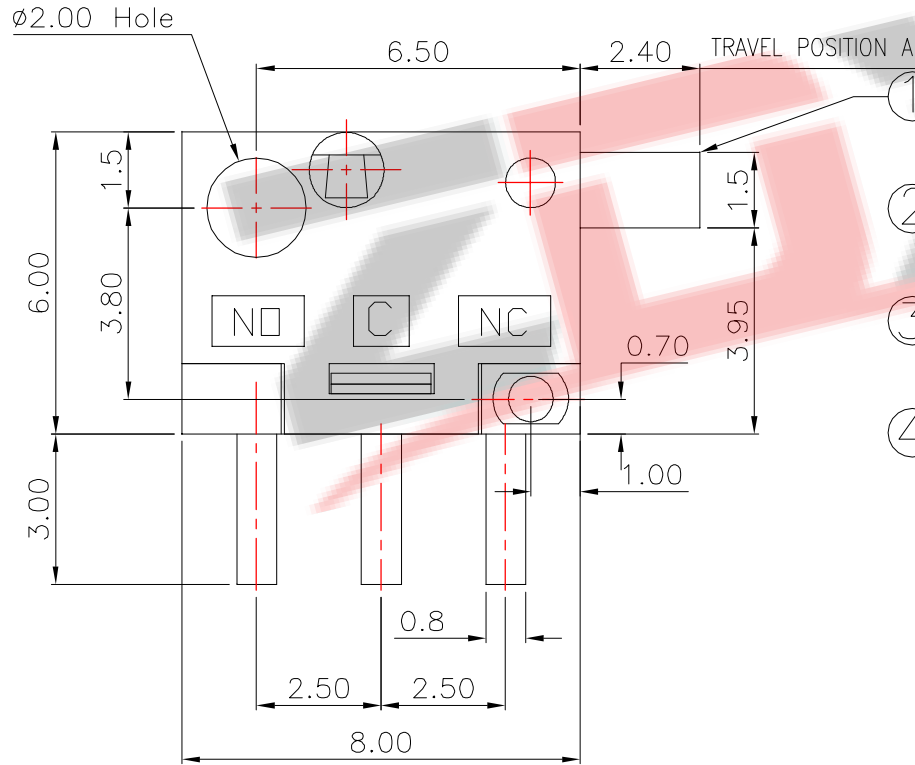


0 0.8 1.5 2.4

TRAVEL POSITION A



Hole Layout(top view)



Circuit Diagram

NOTE:  
Operating Force: 60±20gf

⑥	Spring	—	1	SUS	Natural	—
⑤	Contact Spring	—	1	Phosphor Bronze	Ag Plated	—
④	Terminal	—	3	Phosphor Bronze	Ag Plated	—
③	Base	—	1	NYLON	Black	—
②	Cover	—	1	NYLON	Black	—
①	Knob	—	1	NYLON	White	—
ITEM	PART NAME	TER'NO.	QTY.	MATERIAL	FINISHING	REMARK

APPROVALS			DATE		深圳市兆达鑫科技有限公司 Shenzhen Zhao Xin Technology Co., Ltd.		
DRAWN	刘志强	2015.08.18	TITLE:	DETECTOR SWITCHS			
CHECKED	李文毅	2015.08.18	PART NO.:	KFC-V-108			
APPROVALS			张少辉	2015.08.18			
TOLERANCES ARE		30~以上	±0.30	ANGLE	UNIT: mm	SCALE: 1:1	PROJ:
		10~30	±0.20				
		5~10	±0.15	±2'	DRAWING NO.		SHEET 1 OF 1
		~ 5	±0.10				

ECN NO.	REV.	DATE.	DESCRIPTION.	CHANGE.	CHECK.	APPRO.
	A		NEW			