

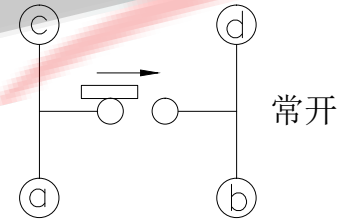
Terminal No.①

PC Board mounting face

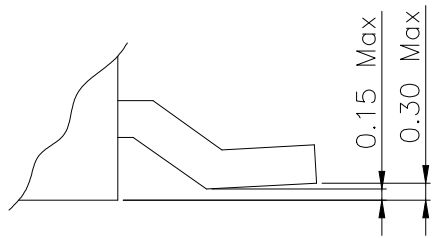
PCB Layout(Pattern side)

PART NO.	H	H1
01	8.5	1
02	11.0	2

NOTE:
 Rating: DC 30V 0.1A
 Operating Force: 40±10gf
 Lifetime: 100,000 Cycles



Circuit Diagram



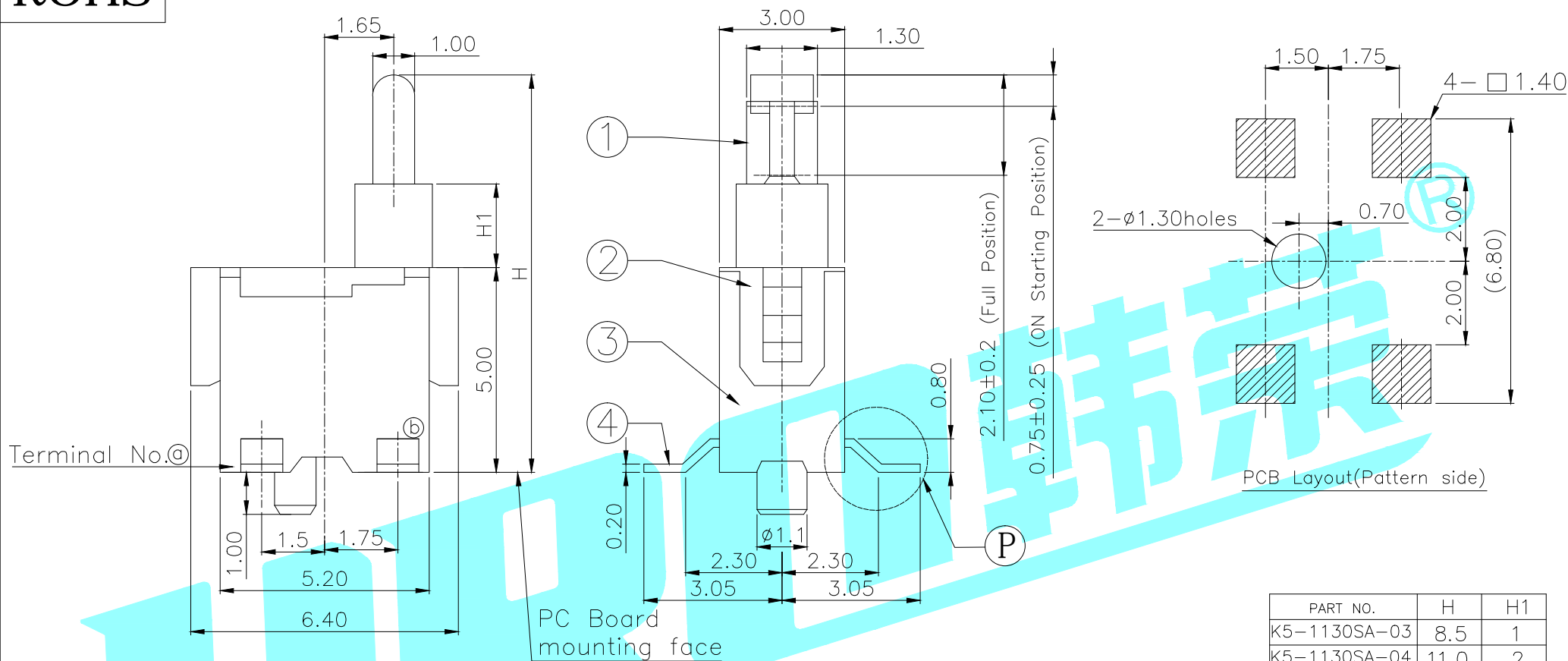
Detail of P (SCALE: 2:1)

ITEM	PART NAME	TER'NO.	QTY.	MATERIAL	FINISHING	REMARK
⑤	Contact Spring	—	1	Phosphor Bronze	Ag Plated	—
④	Terminal	—	4	Phosphor Bronze	Ag Plated	—
③	Base	—	1	NYLON	Black	—
②	Cover	—	1	NYLON	Black	—
①	Knob	—	1	NYLON	Black	—

APPROVALS		DATE	ZDX 深圳市兆达鑫科技有限公司 Shenzhen Zhao Xin Technology Co., Ltd.		
DRAWN	刘志强	2015.08.18	TITLE:	DETECTOR SWITCHES	
CHECKED	李文毅	2015.08.18	PART NO.	KFC-W-07AT	
APPROVALS	张少辉	2015.08.18	UNIT: mm	SCALE: 1:1	PROJ:
TOLERANCES ARE	30~以上 ±0.30 10~30 ±0.20 5~10 ±0.15 ~5 ±0.10	ANGLE	DRAWING NO.	SCALE: 1:1	SHEET 1 OF 1

ECN NO.	REV.	DATE.	DESCRIPTION.	CHANGE.	CHECK.	APPRO.
—	A	—	NEW	—	—	—

ROHS



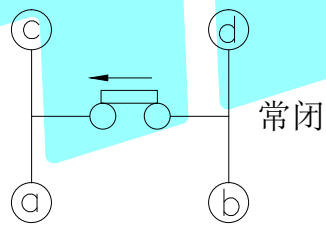
Terminal No.◎

PCB Layout(Pattern side)

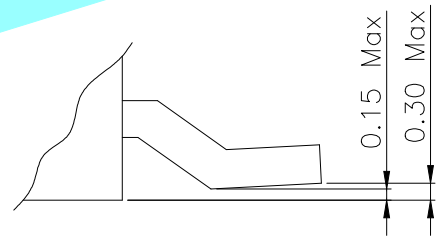
PC Board mounting face

PART NO.	H	H1
K5-1130SA-03	8.5	1
K5-1130SA-04	11.0	2

NOTE:
 Rating: DC 30V 0.1A
 Operating Force: 40±10gf
 Lifetime: 100,000 Cycles



Circuit Diagram



Detail of P (SCALE: 2:1)

ITEM	PART NAME	TER'NO.	QTY.	MATERIAL	FINISHING	REMARK
⑤	Contact Spring	—	1	Phosphor Bronze	Ag Plated	—
④	Terminal	—	4	Phosphor Bronze	Ag Plated	—
③	Base	—	1	NYLON	Black	—
②	Cover	—	1	NYLON	Black	—
①	Knob	—	1	NYLON	Black	—

APPROVALS		DATE	HRO 宏 ELECTRONICS CO.,LTD			
DRAWN	LIUCAN	2020.12.17	TITLE:	DETECTOR SWITCHES		
CHECKED			PART NO.	K5-1130SA-□□		
APPROVALS			UNIT: mm	SCALE: 1:1	PROJ:	
TOLERANCES ARE	30~以上 ±0.30 10~30 ±0.20 5~10 ±0.15 ~ 5 ±0.10	ANGLE ±2'	DRAWING NO.		SHEET 1 OF 1	

ECN NO.	REV.	DATE.	DESCRIPTION.	CHANGE.	CHECK.	APPRO.
—	A	—	NEW	—	—	—