

PRODUCT EDGE

RECOMMEND P.C.B LAYOUT (COMPONENT SIDE)

TOLERANCE FOR PCB LAYOUT IS ±0.05

备注(NOTE):

1. 电气特性:

1.1. 接触区: 接触电阻40mΩ Max, 允许10mΩ变化量. 测试条件: 20mv, 100mA 下测量.

1.2. 接触电流: 3A VBUS引脚; 1.25A用于GND引脚; 其他引脚为0.25A.

1.3. 额定电压: 5V.

1.4. 耐电电压: 100VAC.

1.5. 绝缘电阻: 至少100兆欧.

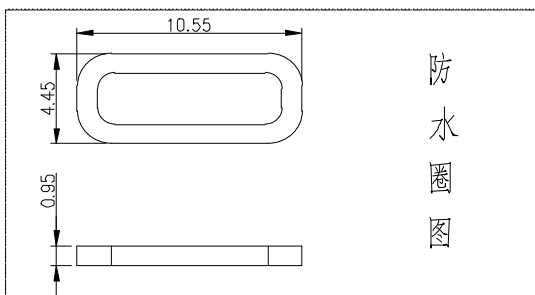
2. 机械性能:

3.1. 插入力: 0.5-2.0Kg

3.2. 拔出力: 0.6-2.04Kg

3.3. 插拔次数: 10000次

4. 工作环境: -20℃ to +85℃.



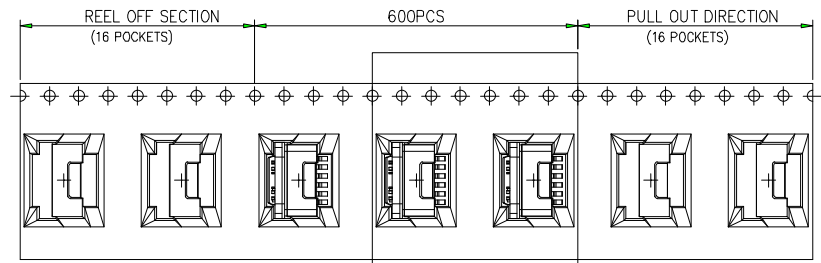
USB TYPE C PIN ASSIGNMENTS

PIN NUMBER	SIGNAL NAME	PIN NUMBER	SIGNAL NAME
		B12	GND
		B9	VBUS
A5	CC1		
		B5	CC2
A9	VBUS		
A12	GND		

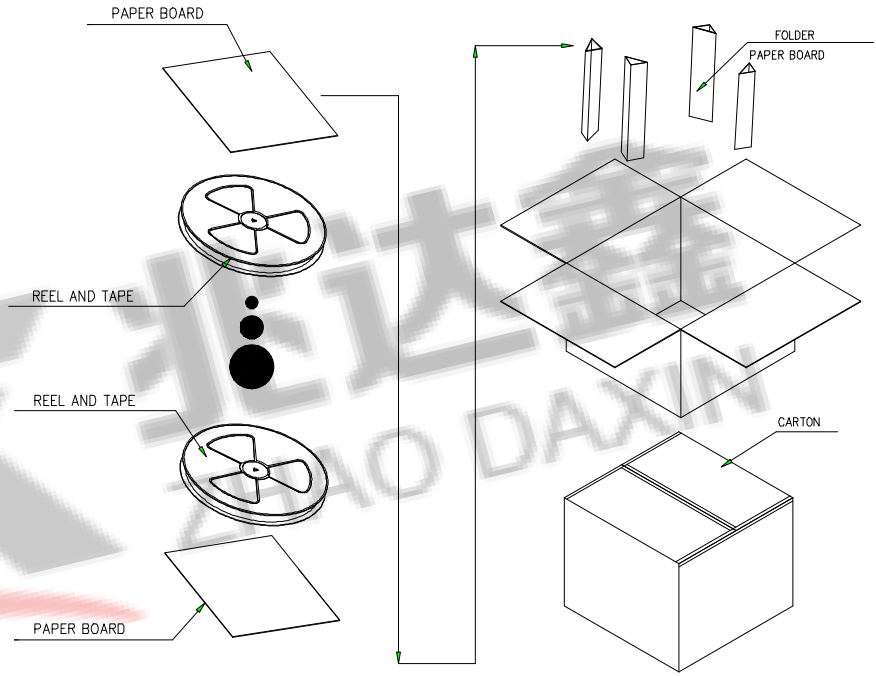
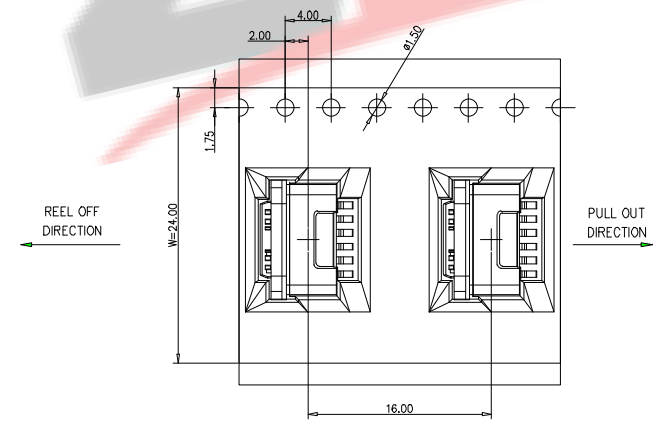
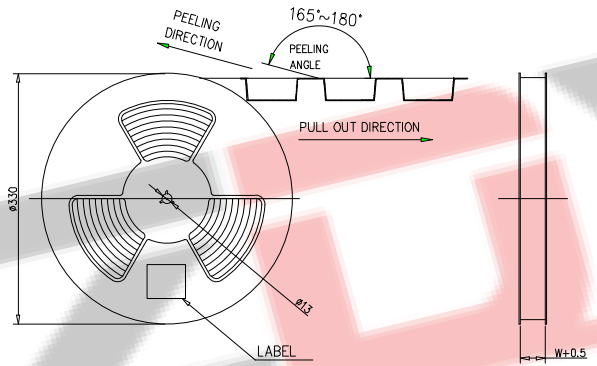
**zhenduan 振端精密科技 (深圳) 有限公司**  
Zhenduan precision technology (Shenzhen) Co., Ltd

TOLERANCE: X:XX ±0.30 X:XXX ±0.20 X:XXX ±0.10 X:XX ±10° X:XX ±5°	DRAWN BY:	DATE:	PART NAME:	
	刘志强	2015.08.18	TYPE-C 6P防水卧式贴片L6.65	
	CHECKED BY:	DATE:	PART NO.	SEE TABLE
	李毅	2015.08.18	MOLD NO.	
APPROVED BY:	DATE:	DRAW NO.:	ZDHS0600FS038	
张少辉	2015.08.18	SHEET NO.:	1 OF 1	

UNIT: mm [inch]  
SCALE: 1:1 SIZE: A4



SEE DETAIL X



	REEL	CARTON
CONNECTOR (PCS)	700	7000

**ZDX** 深圳市兆达鑫科技有限公司  
Shenzhen Zhao Xin Technology Co., Ltd.

TOLERANCE: X.X ±0.30 X.XX ±0.20 X.XXX ±0.10 X.XX ±0.10 X.X ±0.05 X.X ±0.05	DRAWN BY : 刘志强	DATE : 2015.08.18	PART NAME: 包装图	
	CHECKED BY : 李毅	DATE : 2015.08.18	PART NO.	SEE TABLE
UNIT: mm [inch] SCALE: 1:1 SIZE: A4	APPROVED BY : 张少辉	DATE : 2015.08.18	MOLD NO.	
			DRAW NO.	
			SHEET NO.	1 OF 1