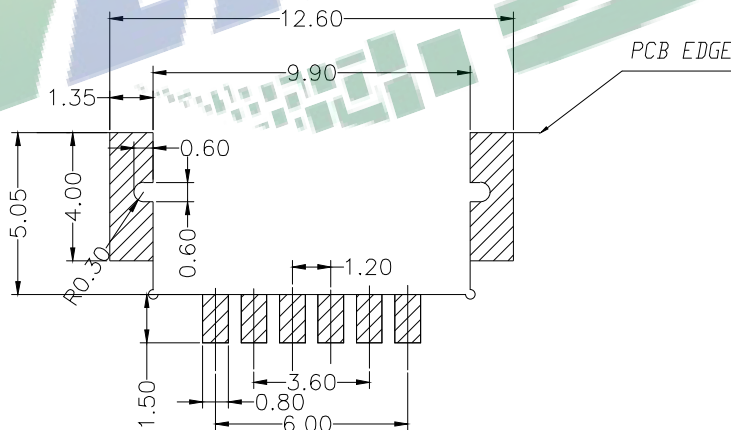
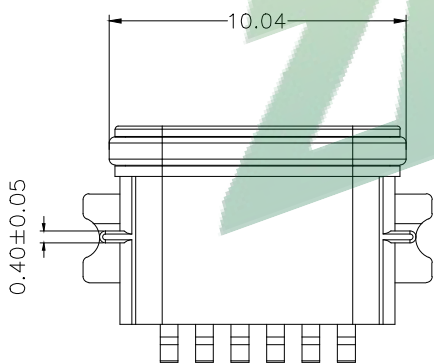
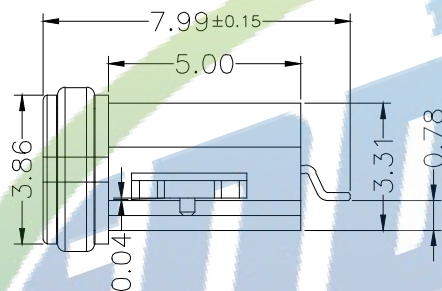
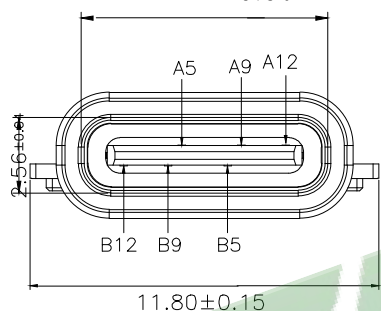


8.34^{+0.02}_{-0.06}



PCB LAYOUT 图仅供参考

Note:
 1.Material:
 1.1 Housing: PA9T
 1.2 Contact:C5191,t=0.20mm
 1.3 Shell: Kirsite
 2.ELECTRICAL:
 2-1:CURRENT RATING:
 VBUS AND GND CONTACTS RATED AT 1.25A
 PARALLELED FOR A TOTAL OF 5A;
 2-2:INITIAL CONTACT RESISTANCE :40 MEGOHMS
 2-3:DIELECTRIC WITHSTANDING VOLTAGE:
 100V AC MIN;
 3:MECHANICAL CHARACTERISTICS:
 3-1:MATING FORCE:5~20N
 3-2:UNMATING FORCE:8~20N(INITIAL),
 6~20N(AFTER 10000 CYCLES)
 3-3:FREQUENCY: 200±50 CYCLES /HOUR,10000
 CYCLES
 3-4:OPERATING TEMPERATURE ;-40°~80°.

TABLE B

A5	CC1	B12	GND
A9	VBUS	B9	VBUS
A12	GND	B5	CC2
PIN	SIGNAL NAME	PIN	SIGNAL NAME

振端精密科技 (深圳) 有限公司 Zhenduan precision technology (Shenzhen) Co., Ltd			
TOLERANCE: X.X ±0.30 X.XX ±0.20 X.XXX ±0.10 X.XX ±0.10 X.X ±0.05	DRAWN BY : 刘志强	DATE : 2015.08.18	PART NAME: TYPE-C6P防水两脚 沉板0.8U型粉末冶金L6.7
UNIT: mm [inch] SCALE:1:1 SIZE: A4	CHECKED BY: 李毅	DATE : 2015.08.18	PART NO. SEE TABLE MOLD NO.
	APPROVED BY: 张少辉	DATE : 2015.08.18	DRAW NO: ZDHS0600FS229 SHEET NO. 1 OF 1