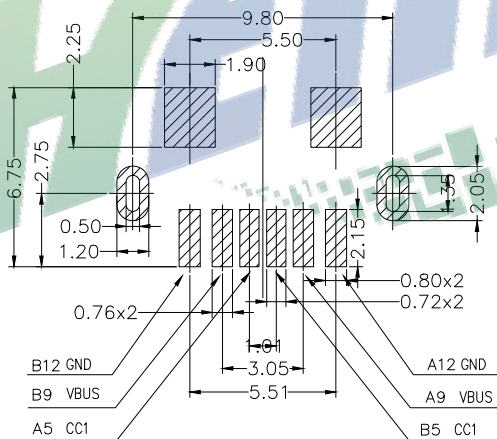
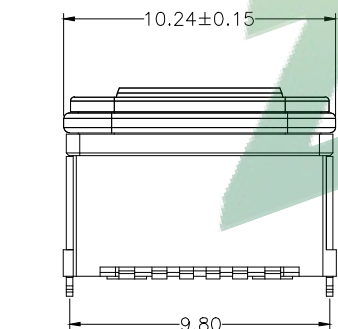
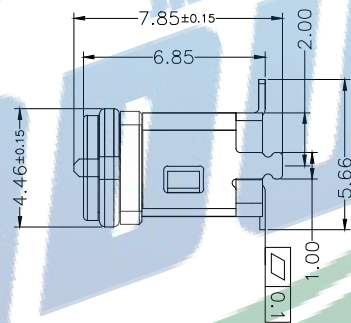
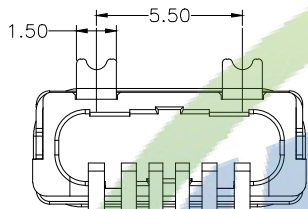
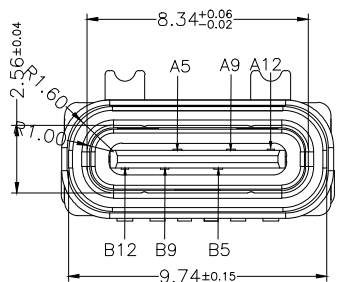
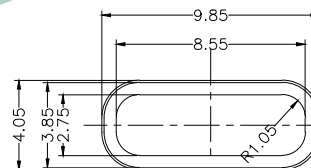


Note:  
 1.Material:  
 1.1 Housing: lcp  
 1.2 Contact:C5191,t=0.20mm  
 1.3 InnerShell: LCP  
 1.4 OutShell: SUS304  
 2.ELECTRICAL:  
 2-1:CURUENT RATAING:  
 VBUS AND GND CONTACTS RATED AT 1.5A  
 PARALLELED FOR A TOTAL OF 3A;  
 2-2:INITIAL CONTACT RESISTANCE :40 MEGOHMS  
 2-3:DIELECTRIC WITHSTANDING VOLTAGE:  
 100V AC MIN;  
 3:MECHANICAL CHARACTERISTICS:  
 3-1:MATING FORCE:5~20N  
 3-2:UNMATING FORCE:8~20N(INITIAL),  
 6~20N(AFTER 10000 CYCLES)  
 3-3:FREQUENCE: 200±50 CYCLES /HOUR,10000 CYCLES  
 3-4:OPERATING TEMPERATURE ;-40~80°.  
 4: WATERPROOF: IPX7.



PCB LAYOUT 图仅供参考

防水圈



Capdimensions

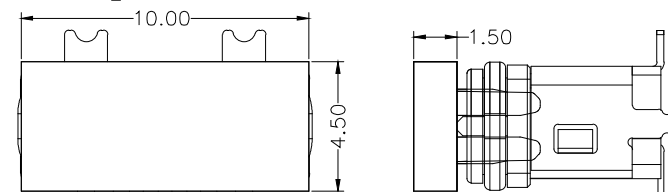


TABLE B

A5	CC1	B12	GND
A9	VBUS	B9	VBUS
A12	GND	B5	CC2
PIN	SIGNAL NAME	PIN	SIGNAL NAME

<b>振端精密科技 (深圳) 有限公司</b> Zhenduan precision technology (Shenzhen) Co., Ltd			
TOLERANCE: X.XX ±0.30 X.XXX ±0.20 X.XXX ±0.10 X.X ±.10 X.X ±.08 X.X ±.05	DRAWN BY : <b>刘志强</b>	DATE : 2015.08.18	PART NAME: TYPE-C6P防水立式贴板全塑H6.8
UNIT: mm [inch] SCALE:1:1 SIZE: A4	CHECKED BY: <b>李毅</b>	DATE : 2015.08.18	PART NO. SEE TABLE MOLD NO.
	APPROVED BY: <b>张少辉</b>	DATE : 2015.08.18	DRAW NO: ZDHS0600FS223 SHEET NO. 1 OF 1