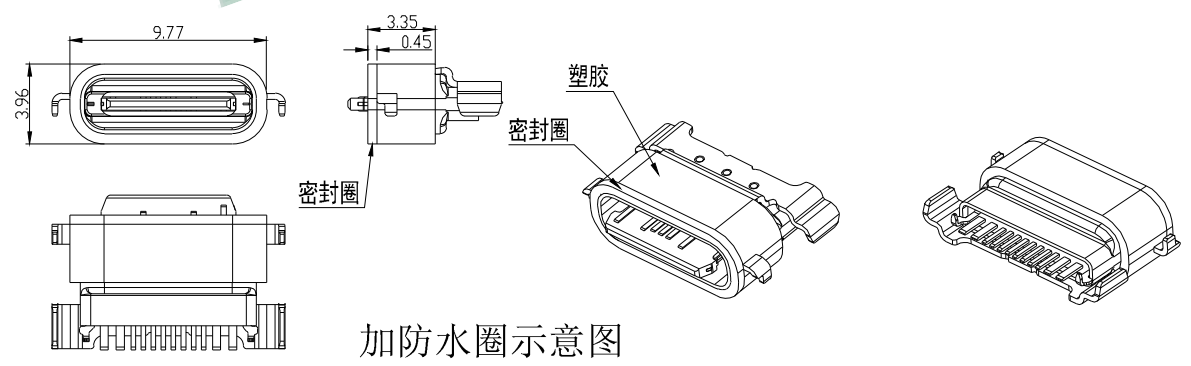


RECOMMENDED PCB LAYOUT(TOP VIEW)
THICKNESS 0.8±0.10MM;DEFAULT TOLERANCE:±0.05

- NOTES:
- MATERIAL:
 - HOUSING:SEE TABLE ORDERING INFORMATION
 - CONTACTS:Copper Alloy(C7025)
 - SHELL:Stainless steel
 - ELECTRICAL CHARACTERISTICS:
 - CONTACT RESISTANCE:40mΩ Max FOR INTIAL.10mΩ CHANGE AFTER TEST. MEASURE at 20mv, 100mA.
 - CONTACT CURRENT RATING:3A FOR VBUS PIN;1.25A FOR VCONN and GND PIN;0.25A FOR all THE OTHER PIN.
 - CLTAGE RATING:30V
 - DIELECTRIC WITHSTANDING VOLTAGE:100 V R.M.S.
 - INSULATION RESISTANCE 100 MEGOHMS MIN
 - MECHANICAL PERFORMANCE:
 - INSERT FORCE:0.51-2.04Kg
 - EXTRACT FORCE:0.82-2.04Kg
 - AFTER DURABILITY:0.61-2.04Kg
 - DURABILITY:10000 CYCLES
 - ENVIRONMENTAL:
 - OPERATION TEMPERATURE : -20°C to +85°C

A12	A11	A10	A9	A8	A7	A6	A5	A4	A3	A2	A1
			VBUS		D-	D+	Vconn	VBUS			GND
GND			VBUS	Vconn	D+	D-		VBUS			
B1	B2	B3	B4	B5	B6	B7	B8	B9	B10	B11	B12
5	中间片		-----		1PCS	SUS304-1/2H	T=0.15mm, 素材				
4	护套壳子		-----		1PCS	SUS304-1/2H	T=0.30mm镀锌, 盐雾48H最小				
3	MODING弹子		-----		2PCS	LCP/C7025	LCP黑色, 半金雾锡1U"				
2	端子		-----		2PCS	C7025	T=0.15mm镀半金锡1U"				
1	拉伸壳子		-----		1PCS	SUS316L	T=0.20mm镀锌				
No.	Part Name	Part No.	QTY	Material	Remark						



zhenduan 振端精密科技 (深圳) 有限公司
Zhenduan precision technology (Shenzhen) Co., Ltd

TOLERANCE: X.XX ±0.30 X.XXX ±0.20 X.XXX ±0.10 X.X ±0.10 X.X ±0.05	DRAWN BY : 刘志强	DATE : 2015.08.18	PART NAME: TYPE-C12P防水 四脚沉板L7.65外露1.0	
 UNIT: mm [inch] SCALE: 1:1 SIZE: A4	CHECKED BY: 李毅	DATE : 2015.08.18	PART NO.	SEE TABLE
	APPROVED BY: 张少辉	DATE : 2015.08.18	DRAW NO:	ZDHS0600FS245
		SHEET NO.		1 OF 1