

规格说明: Specifications:

电气特性: Electrical:

1. 额定电流: Current Rating  
1.5A/contact terminal
2. 额定电压: Voltage Rating  
30V DC
3. 接触电阻: Contact Resistance  
30 milliohms MAX
4. 耐压: Dielectric Withstanding Voltage:  
500 V AC AT Sea Level
5. 绝缘电阻: Insulation Resistance:  
1000MEGA ohms MIN

1. 插拔力: Connector Mate and Unmate Force  
Mate force: 3.57kgf(MAX)  
Unmate force: 1.02kgf(MIN)
2. 端子保持力: Terminal Retention  
1.0kgf(MIN)

1. 塑胶: Housing:  
Hing Temperature Thermoplastics,

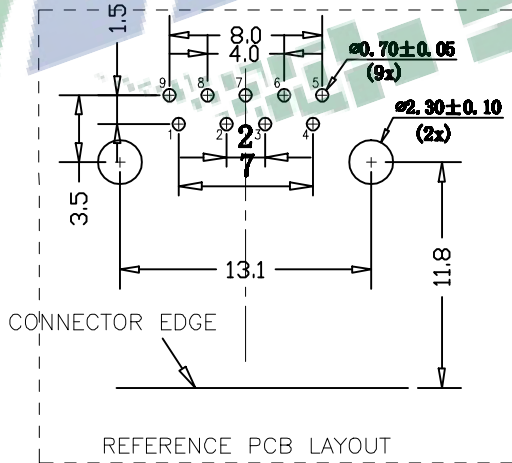
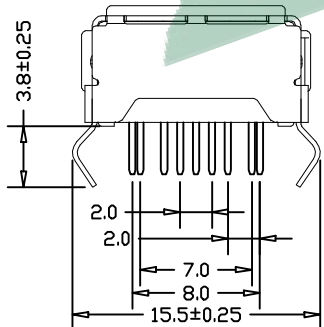
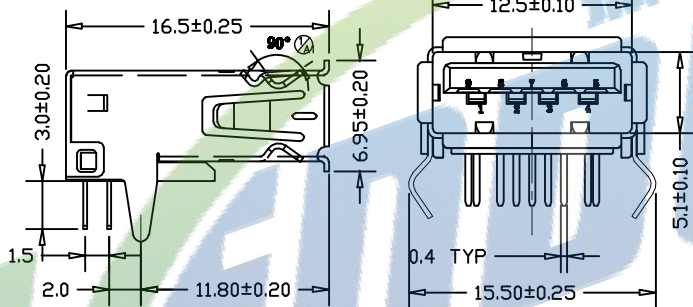
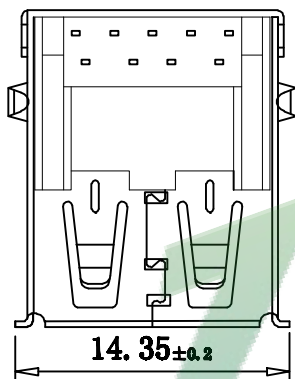
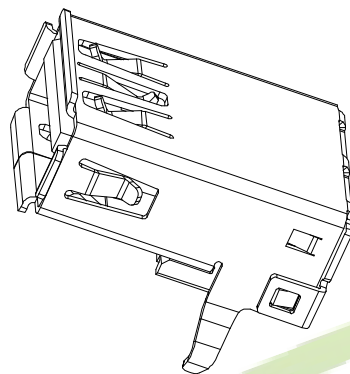
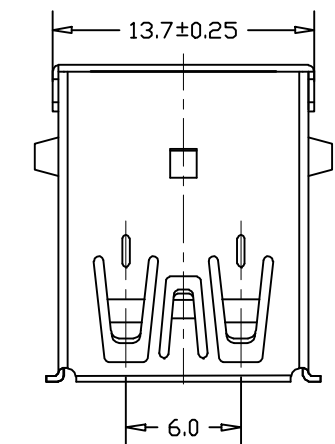
2. 端子: Contact: Copper Alloy C2680  
3. 外壳: Shell: Copper Alloy C2680/SPCC

电镀: Finish:

1. 端子: Contact: Piated Gold in Mating Area;  
Tin On Solder Tails

端子四周镀30-50U"(MIN)锡, "镀金1U"

2. 外壳: Shell:  
铁壳四周镀80U"(MIN)锡, 铜壳四周镀60-80U"(MIN)镍  
Nickel Plating



<b>振端精密科技 (深圳) 有限公司</b> Zhenduan precision technology (Shenzhen) Co., Ltd			
TOLERANCE: X X ±0.30 X XX ±0.20 X XXX ±0.10 X .° ±10° X ° ±8° X ° ±5°	DRAWN BY : <b>刘志强</b>	DATE : 2015.08.18	PART NAME: <b>3.0 90度卷边弯脚</b>
UNIT: mm [inch] SCALE: 1:1 SIZE: A4	CHECKED BY: <b>李毅</b>	DATE : 2015.08.18	PART NO. SEE TABLE MOLD NO.
	APPROVED BY: <b>张少辉</b>	DATE : 2015.08.18	DRAW NO: ZDXAF300050001 SHEET NO. 1 OF 1