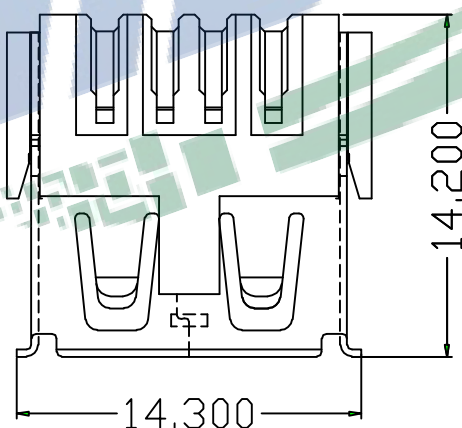
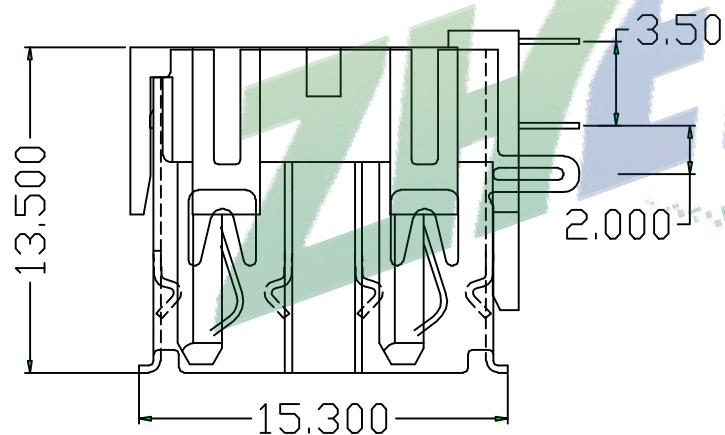
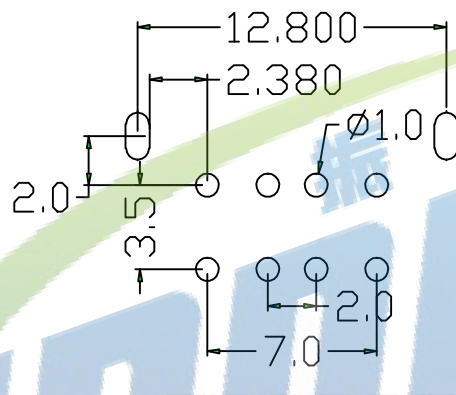
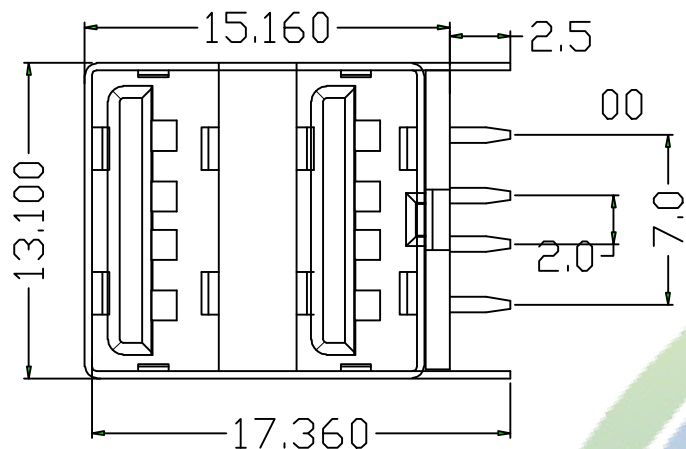


短脚卷边



NOTES:

- Housing: Thermoplastics,UL94V-0
- Contact: Copper Alloy
- Shell: Copper Alloy/Steel
- Voltage Current Rating:1.5 AMP. 30V AC
- Insulation Resistance:1000MΩ Min.
- Contact Resistance:30 MΩ Max.
- Dielectric Withstanding Voltage:500W AC
- Temperature Range:-35°C to +85°C
- Insulator color: Black/White
- Plastic material:PBT/LCP/Others
- Shell finish:Nickel plated/Tin-Lead plated
- Mechanical:
- Mating Force:3.5KG MAX
- Unmating Force:1.02 KG MIN.
- Contact finish:
- 01: Selective Gold Flash
- 02: Selective Gold 3U"
- 03: Selective Gold 5U"
- 04: Selective Gold 15U"
- 05: Selective Gold 30U"

zhenduan 振端精密科技 (深圳) 有限公司
Zhenduan precision technology (Shenzhen) Co., Ltd

TOLERANCE: X.XX ±0.30 X.XXX ±0.20 X.XXX ±0.10 X.X ±0.10 X.X ±0.08 X.X ±0.05	DRAWN BY :	DATE :	PART NAME:	
	刘志强	2015.08.18	双层90度短体13.5卷边短脚	
UNIT: mm [inch] SCALE:1:1 SIZE: A4	CHECKED BY:	DATE :	PART NO.	SEE TABLE
	李毅	2015.08.18	MOLD NO.	
	APPROVED BY:	DATE :	DRAW NO:	ZDXAFUSB20552
	张少辉	2015.08.18	SHEET NO.	1 OF 1