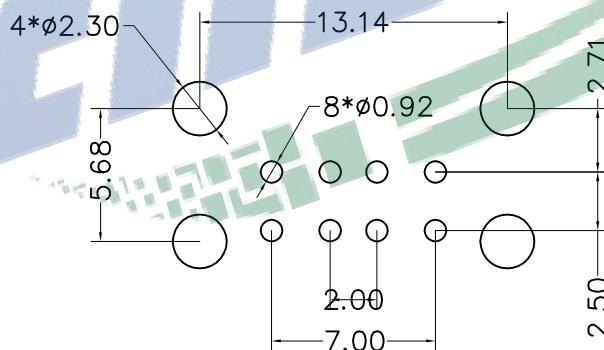
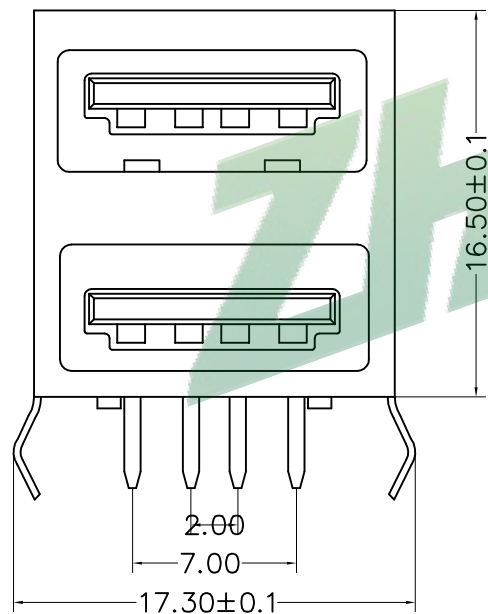
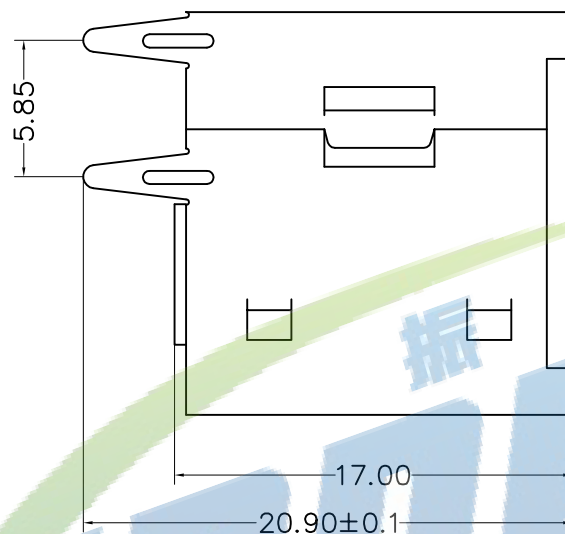
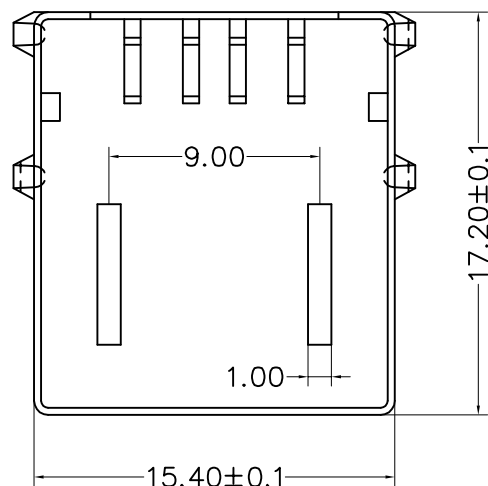


NOTES:

- Housing: Thermoplastics,UL94V-0
- Contact: Copper Alloy
- Shell: Copper Alloy/Steel
- Voltage Current Rating:1.5 AMP. 30V AC
- Insulation Resistance:1000M $\Omega$  Min.
- Contact Resistance:30 M $\Omega$  Max.
- Dielectric Withstanding Voltage:500W AC
- Temperature Range:-35 $^{\circ}$ C to +85 $^{\circ}$ C
- Insulator color: Black/White
- Plastic material:PBT/LCP/Others
- Shell finish:Nickel plated/Tin-Lead plated
- Mechanical:
- Mating Force: 3.5KG MAX
- Unmating Force:1.02 KG MIN.
- Contact finish:
- 01: Selective Gold Flash
- 02: Selective Gold 3U"
- 03: Selective Gold 5U"
- 04: Selective Gold 15U"
- 05: Selective Gold 30U"



PCB.LAYOUT

<b>振端精密科技 (深圳) 有限公司</b> Zhenduan precision technology (Shenzhen) Co., Ltd			
TOLERANCE: X.XX ±0.30 X.XXX ±0.20 X.XXX ±0.10 X.X ±0.10 X.X ±0.05	DRAWN BY : <b>刘志强</b>	DATE : 2015.08.18	PART NAME: <b>17.2双层90度全包</b>
UNIT: mm [inch] SCALE:1:1 SIZE: A4	CHECKED BY: <b>李毅</b>	DATE : 2015.08.18	PART NO. <b>SEE TABLE</b> MOLD NO.
	APPROVED BY: <b>张少辉</b>	DATE : 2015.08.18	DRAW NO.: <b>ZDXAFUSB20598</b> SHEET NO. 1 OF 1