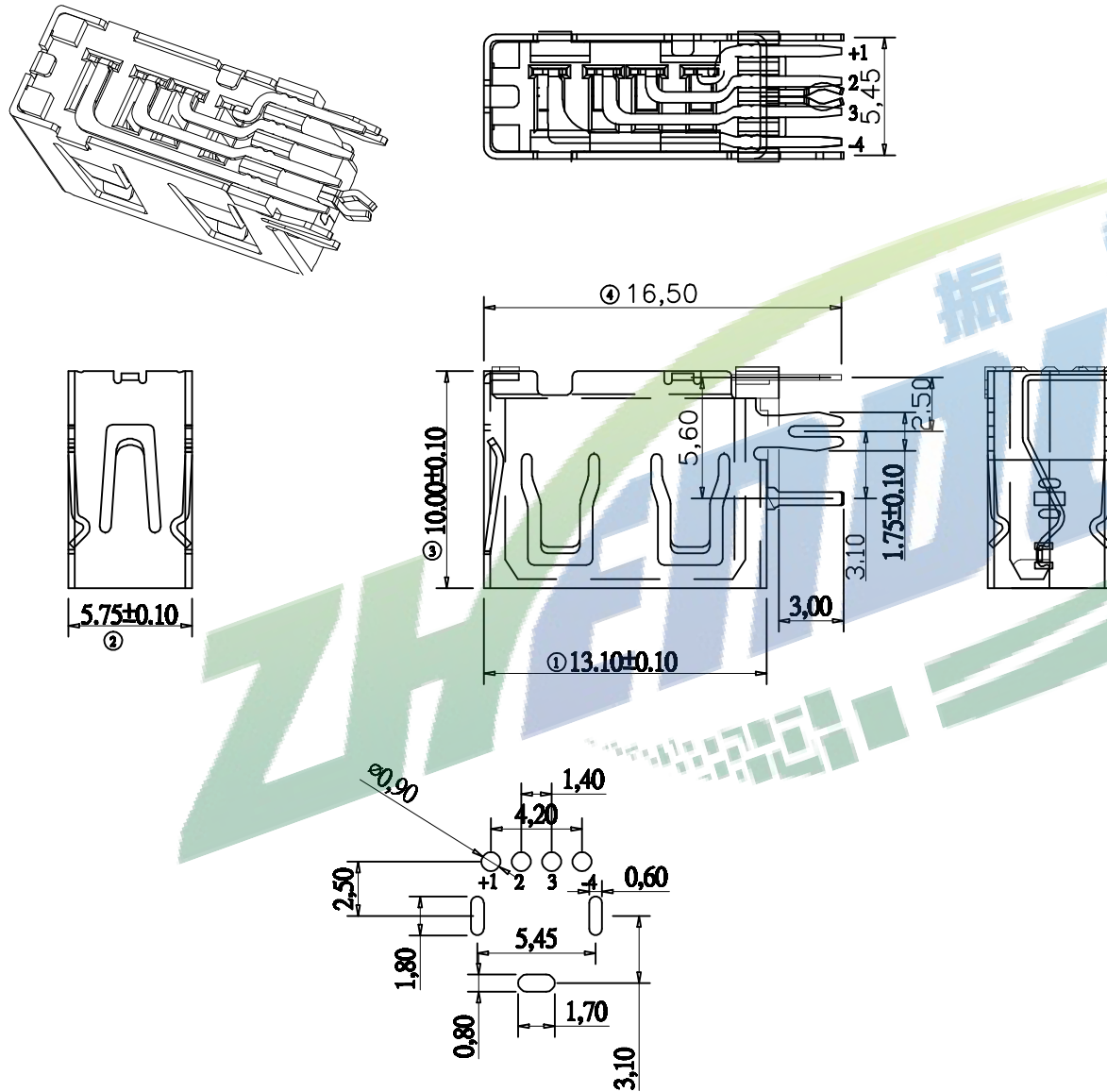


NOTES:

Housing: Thermoplastics,UL94V-0  
 Contact: Copper Alloy  
 Shell: Copper Alloy/Steel  
 Voltage Current Rating:1.5 AMP. 30V AC  
 Insulation Resistance:1000MΩ Min.  
 Contact Resistance:30 MΩ Max.  
 Dielectric Withstanding Voltage:500W AC  
 Temperature Range:-35°C to +85°C  
 Insulator color: Black/White  
 Plastic material:PBT/LCP/Others  
 Shell finish:Nickel plated/Tin-Lead plated  
 Mechanical:

- Mating Force: 3.5KG MAX
- Unmating Force:1.02 KG MIN.
- Contact finish:
- 01: Selective Gold Flash
- 02: Selective Gold 3U"
- 03: Selective Gold 5U"
- 04: Selective Gold 15U"
- 05: Selective Gold 30U"



|   |                     |                      |  |
|---|---------------------|----------------------|--|
| <b>振端精密科技 (深圳) 有限公司</b><br>Zhenduan precision technology (Shenzhen) Co., Ltd                  |                     |                      |  |
| TOLERANCE:<br>X.XX ±0.30<br>X.XXX ±0.20<br>X.XXX ±0.10<br>X.X ±0.10<br>X.X ±0.05<br>X.X ±0.02 | DRAWN BY :<br>刘志强   | DATE :<br>2015.08.18 | PART NAME:<br>侧插10.0直边                     |
| UNIT: mm [inch]<br>SCALE:1:1 SIZE: A4   | CHECKED BY:<br>李毅   | DATE :<br>2015.08.18 | PART NO. SEE TABLE<br>MOLD NO.             |
|   | APPROVED BY:<br>张少辉 | DATE :<br>2015.08.18 | DRAW NO: ZDXAFUSB20706<br>SHEET NO. 1 OF 1 |